

The Pointek CLS 300 offers accurate, reliable level detection even in harsh, heavy duty industrial applications with high pressures and high temperatures.

It's effective in liquids, solids, slurries, interfaces, and applications involving viscous (conductive or non-conductive) materials. The fully potted transmitter is unaffected by condensation, dust or vibration.

All wetted parts are made of stainless steel with a PFA Teflon shield section for high chemical resistance. For higher temperature applications, ceramics can be supplied. Materials with low or high dielectric properties are accurately detected and the unique active shield helps in ignoring the effects of build-up.

Its unique modular design provides for a wide range of configurations, process connections, extensions and approvals to meet the precise temperature and pressure requirements of specific applications. The modular design makes it easy to specify and reduces stocking requirements. A wide range of probe configurations is available, including rod and cable/rope models.



Product Features

- Patented Mercap Active Shield Technology
- High-sensitivity probe
- Unaffected by material build-up
- Fast, cost-effective set-up using LED's verification
- Universal power supply and universal transmitter
- Easy to install and maintain
- Multiple outputs

Technical Specifications

Probe

Process Connection

- ¾"-1"-1 ¼"- 1 ½"-NPT/BSPT/JIS

Wetted Parts

- standard version: AISI 316L/PFA/Peek
- high temperature version: AISI 316L/Ceramics Al₂O₃ (99.7%)

Probe Lengths

- rod version: min. 350 mm (14") max. 1000 mm (40") max.
- rope/cable version: min. 500 mm (20") max. 25000 mm (985") max.

Maximum Tensile Force

- 1900 kg (4188 lbs.)

Pressure Range (bar/PSI)

- -1 to 35 barg (511 psig)

Temperature Range

- standard version: -40 to 200°C (-40 to 392°F)
- high temp. version: -40 to 400°C (-40 to 752°F)

Min. Dielectric Constant

- 1.5

Enclosure

- epoxy coated
- NEMA 4/Type 4/IP65

Power Supply and Transmitter

Supply Voltage

- 12 – 250 Vac/dc any polarity galvanically isolated

Power Consumption

- 2 VA/2 Watt

Wiring Connections

- max. 2.5 mm (0.009")
- temperature range (operation/storage)
- -40 to 85°C (-40 to 185°F)

Signal Indicators

- 3 LEDs, provides adjustment control, output status and power

Adjustment Potentiometers

- 2 PCS, for adjustment of time delay and sensitivity

Adjustment Switches

- 5 PST dip switch for time delay select. Fail safe High/Low and time delay test/adjust, high/low sensitivity

Min. Sensitivity (pF)

- 1% change in actual capacitance

Max. Temperature Drift

- 0.2% of actual capacitance value

Measurement Frequency

- 600 kHz max.

E.S.D. Protection (kV)

- protected to 55 kV continuous discharge

Output Functions

Relay Contact (with Signal Failure Detection)

- contact: form "C" SPDT (selectable NC or NO contact)
- max. contact load: dc: 5A/30 Vdc. ac: 8A/250 Vac (cosφ=1)
- max. switching capacity: 150 Watt/2000 VA
- min. contact load: 10 mA/5Vdc
- time delay (on and/or off): 1-60 seconds

Solid State Switch (with Signal Failure Detection)

- output: galvanically isolated
- safety: non-polarity sensitive transistor
- max. load: 2 Watt
- max. switch voltage: 250 Vac/300 Vdc
- max. load current: 100 mA
- voltage drop: below 1 Volt typical @ 50mA
- time delay (on and/or off): 1-60 seconds

Two (2) Wire Switch

- with customer supplied external trip devices

Approvals

- CE, CSA, NRTL/C, FM, CENELEC, ATEX 100, WHG/VbF overfill protection (Germany)

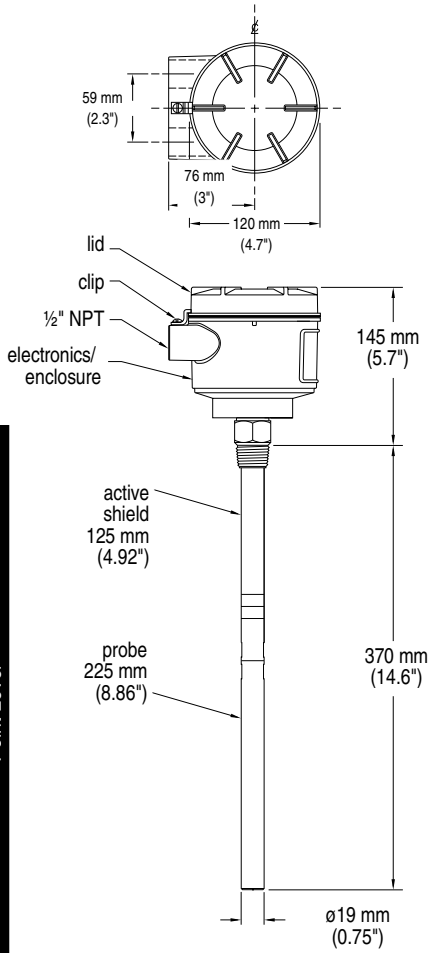
* Pressure rating of process seal is temperature dependent. Contact Milltronics for de rating curves.

Specifications are subject to change without notice.

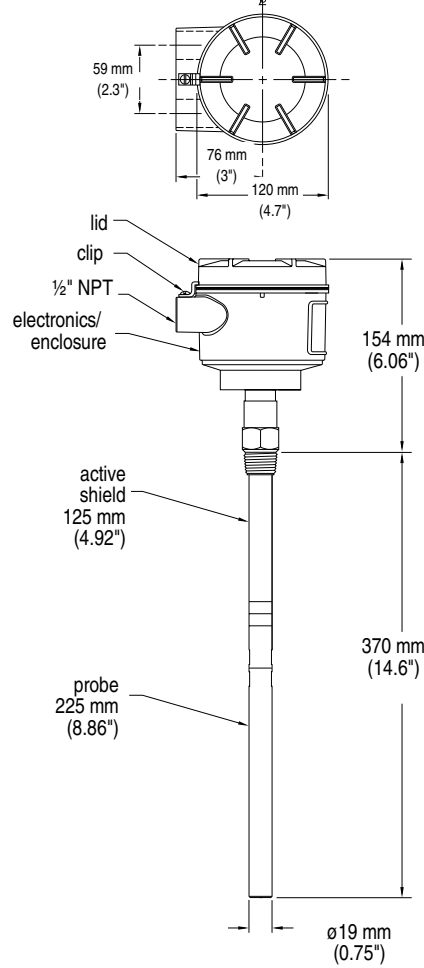
Pointek CLS 300

Dimensions

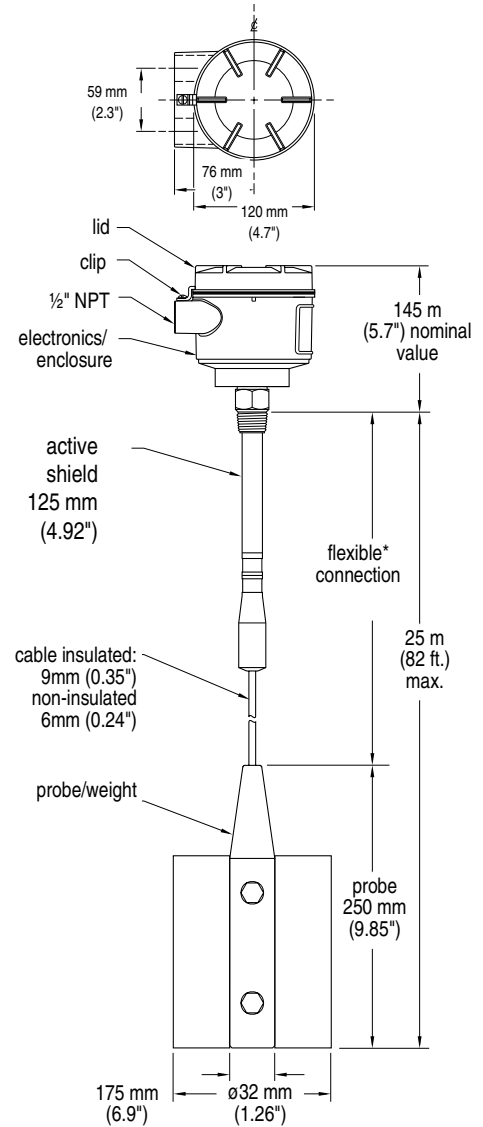
Standard Version



High Temperature Version



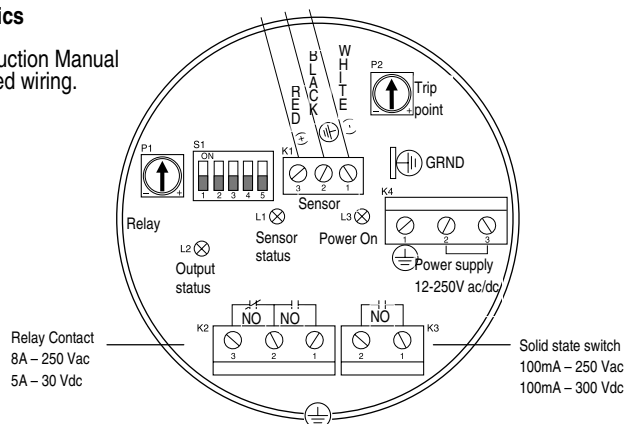
Cable Version



Wiring

Electronics

See Instruction Manual for detailed wiring.



Australia	Tel.: +61 3-9695-2400	Fax: +61 3-9695-2450
Belgium	Tel.: +32(0)3326 45 54	Fax: +32(0)3326 05 25
Canada	Tel.: +1 705-745-2431	Fax: +1 705-741-0466
France	Tel.: +33 4 42 65 69 00	Fax: +33 4 42 58 63 95
Germany	Tel.: +49 721 595 4607	Fax: +49 721 595 4937
Hong Kong	Tel.: +85 2-2856-3166	Fax: +85 2-2856-2962
Mexico	Tel.: +52 5 575-27-28	Fax: +52 5 575-26-86
The Netherlands	Tel.: +31(0)76 542 7 542	Fax: +31(0)76 542 8 542
Switzerland	Tel.: +41 21 791 58 28	Fax: +41 21 791 58 40
United Kingdom	Tel.: +44 1905-450500	Fax: +44 1905-450501
United States	Tel.: +1 817-277-3543	Fax: +1 817-277-3894

www.milltronics.com