

---

## Model DR4300/DR4500A Circular Chart Recorder Replacement Instruction

### Latch and Lock Assembly (51309609-503)

---

**Document Number** Form: 43-DR-33-66  
Effective: 1/00  
Supersedes: 1/99

---

**Kit Contents** This Latch and Lock Assembly Kit contains the following parts:

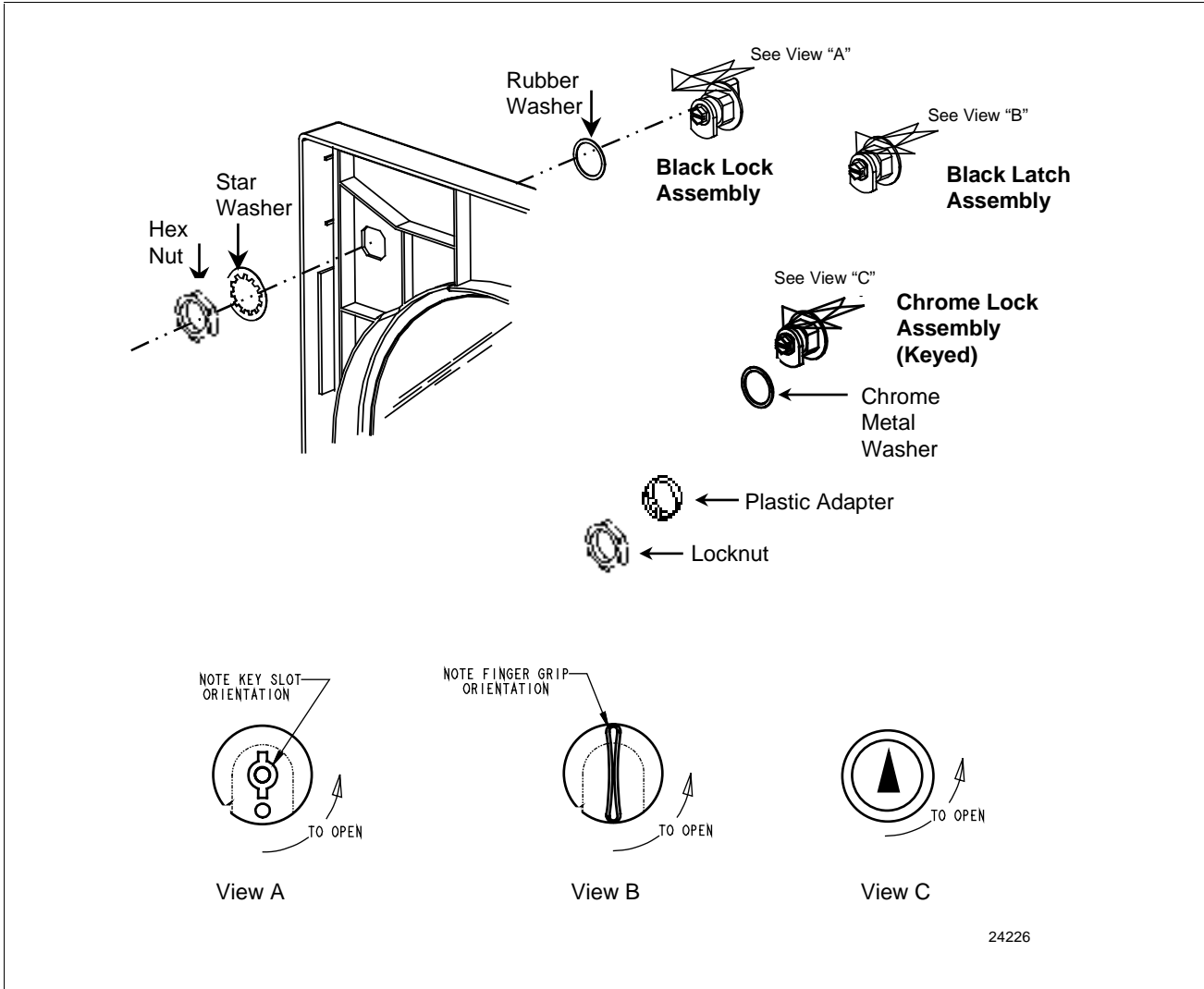
- Black Latch Assembly (with Rubber Washer and Hex Nut)
- Black Lock Assembly (with Rubber Washer and Hex Nut)
- Key for Black Lock Assembly
- Star Washer for Black Lock/Latch Assemblies
- Latch Retainer for all
- Chrome Lock Assembly (with Key and Hex Nut)
- Chrome Metal Washer (for Chrome Lock)
- Plastic Adapter for Chrome Lock

---

**Summary** The assembly kit contains all the components you need to replace/install the latch or lock assembly on the door of a DR4300 recorder, or a DR4500A Recorder manufactured after 12/31/98. Table 1 gives the installation procedures.

---

**Component Location** Refer to Figure 1 for the component locations and Table 1 or 2 for the installation procedure.



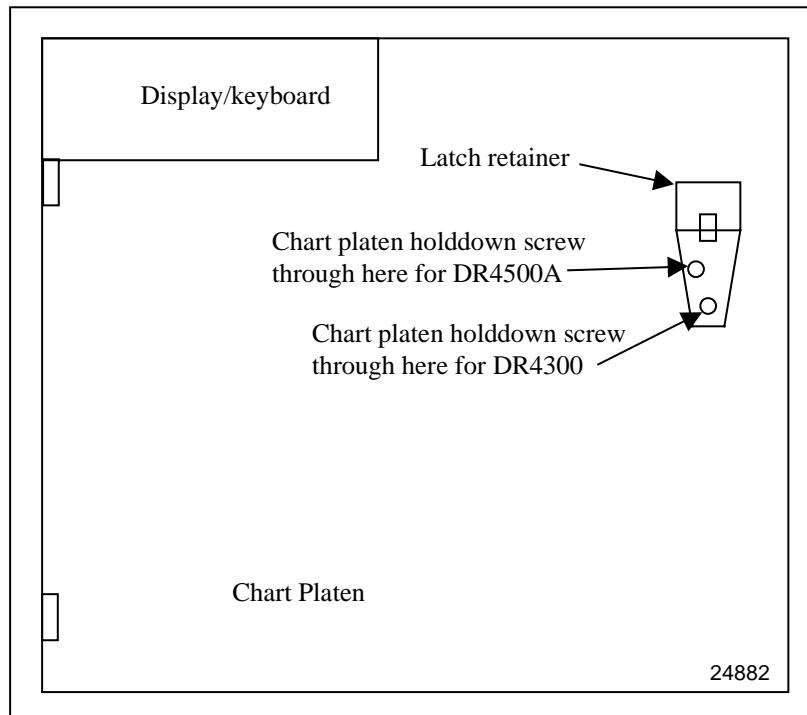
**Figure 1 – Component Location**

**Installation Procedure** Follow the procedure in Table 1 or 2 to install a new latch or lock assembly onto your recorder.

NOTE: There may be some disassembly required prior to performing installation procedure.

**Table 1 – Black Latch or Lock Assembly Installation**

Step	Action
1	Put rubber washer on cylinder of black latch or lock, whichever is applicable.
2	Insert cylinder through hole from front of door.
3	Put star washer on.
4	Secure with hex nut. For proper installation, latch/key should turn counterclockwise to open door, as viewed from front of recorder (Figure 1, Views A and B).
5	Install latch retainer as shown in Figure 2.



**Figure 2 – Latch Retainer Location**

**Table 2 – Chrome Lock Assembly Installation**

<b>Step</b>	<b>Action</b>
<b>1</b>	Remove screw, lockwasher, and cam from lock assembly and lay aside.
<b>2</b>	Insert plastic adapter from rear of door into latch hole, round side facing in.
<b>3</b>	Place chrome washer on lock assembly and insert from front of door through the plastic adapter.
<b>4</b>	Secure with hex nut.
<b>5</b>	Reinstall the cam, lockwasher, and screw.
<b>6</b>	Install latch retainer.

**Warranty/Remedy**

Honeywell warrants goods of its manufacture as being free of defective materials and faulty workmanship. Contact your local sales office for warranty information. If warranted goods are returned to Honeywell during the period of coverage, Honeywell will repair or replace without charge those items it finds defective. The foregoing is Buyer's sole remedy and is in lieu of all other warranties, expressed or implied, including those of merchantability and fitness for a particular purpose. Specifications may change without notice. The information we supply is believed to be accurate and reliable as of this printing. However, we assume no responsibility for its use.

While we provide application assistance personally, through our literature and the Honeywell web site, it is up to the customer to determine the suitability of the product in the application.



**Sensing and Control**  
Honeywell Inc.  
11 West Spring Street  
Freeport, IL 61032

[www.honeywell.com/sensing](http://www.honeywell.com/sensing)