

Instruction Manual • March 2009



English

Deutsch

Español

Français

sitrans

LPS200

million
in one

SIEMENS

Safety Notes

Special attention must be paid to warnings and notes highlighted from the rest of the text by grey boxes.



WARNING: relates to a caution symbol on the product, and means that failure to observe the necessary precautions can result in death, serious injury, and/or considerable material damage.





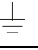

WARNING¹: means that failure to observe the necessary precautions can result in death, serious injury, and/or considerable material damage.

CAUTION: means that failure to observe the necessary precautions can result in considerable material damage.

Note: means important information about the product or that part of the operating manual.

1. This symbol is used when there is no corresponding caution symbol on the product.

Safety marking symbols

In manual	On Product	Description
		(Label on product: yellow background.) Caution: refer to accompanying documents (manual) for details.
		Earth (ground) Terminal
		Protective Conductor Terminal

The Manual

Notes:

- Please follow the installation and operating procedures for a quick, trouble-free installation and to ensure the maximum accuracy and reliability of your SITRANS LPS200.
- This manual applies to SITRANS LPS200 only.

This manual will help you set up your SITRANS LPS200 for optimum performance. We always welcome suggestions and comments about manual content, design, and accessibility.

Please direct your comments to techpubs.smpi@siemens.com. For the complete library of Siemens Milltronics manuals, go to www.siemens.com/processautomation.

SITRANS LPS200 Introduction

Notes

- Installation, maintenance, and commissioning must be performed by qualified technical personnel.
- SITRANS LPS200 must be used only in the manner outlined in this instruction manual.
- This product is intended for use in industrial areas. Operation of this equipment in a residential area may cause interference to several frequency based communications.

The SITRANS LPS200 rotating paddle switch is used for level monitoring of bulk materials. It can be used to detect full, demand, or empty conditions in silos, hoppers, or storage vessels of materials such as grain, feed, cement, plastic granulate, and wood chips. The paddle switch measures bulk densities as low as 100 g/l (6.2 lb/ft³) with the standard measuring vane, 35 g/l (2.2 lb/ft³) with the optional hinged vane, or 15 g/l (0.9 lb/ft³) with the optional rectangular vane.

SITRANS LPS200 Features

- High integrity mechanical seal
- AC, DC, or switch-selectable power supply
- Unique friction clutch mechanism. When the measuring vane encounters sudden resistance, the friction clutch slips to prevent internal component damage.
- Optional fail-safe function alarms on fault conditions or component failure
- Rotatable enclosure
- Optional vanes for use with high and low bulk densities to 15 g/l (0.9 lb/ft³)
- Compact, rigid extension (top mounted only), angled rigid extension, and cable extension configurations available
- High temperature and high pressure models available
- Optional extension kit available for the compact version

SITRANS LPS200 Applications

- Grain, feed, cement, plastic granulate, wood chips, rice, soybeans, etc.
- Low or high bulk density materials

Principle of Operation

A low revolution gearing motor drives a rotating measuring vane. When material reaches the rotating vane, rotation stops, actuating a microswitch contact closure. When the vane is no longer covered, rotation resumes and the microswitch reverts to its normal condition.

The synchronous induction motor is freely suspended within the housing. When the rotation is slowed by the material, the reaction torque is used to operate a micro-switch that gives an electrical signal to stop the motor. When the material level moves away from the rotating vane, a spring draws the motor back into operating position, the microswitch returns to operating position, and the motor is switched back on.

Two motor speeds are available: 1 rpm, for storage silos
 5 rpm, for faster process requirements

Specifications

Note: Siemens Milltronics makes every attempt to ensure the accuracy of these specifications but reserves the right to change them at any time.

Power

- 115 V AC, 50 to 60 Hz, 4 VA
- 230 V AC, 50 Hz, 6 VA
- 24 or 48 V AC
- 24 V DC, 2.5 W

All voltages $\pm 15\%$ (including $\pm 10\%$ according to IEC 61010-1)

Performance

Alarm delay

- 1 rpm model (storage applications) approx. 1.3 s
- 5 rpm model (process applications) approx. 0.26 s

Sensitivity

- adjustable spring tension position
- optional measuring vanes available, depending on customer sensitivity requirements

Approximate minimum material density

Standard measuring vane

- 100 g/l (6.2 lb/ft³) when vane is covered by 10 cm (4") of material
- 200 g/l (12.5 lb/ft³) when vane is covered by more than 10 cm (4") of material

Hinged measuring vane

- 35 g/l (2.2 lb/ft³) when vane is covered by 10 cm (4") of material
- 70 g/l (4.4 lb/ft³) when vane is covered by more than 10 cm (4") of material

Rectangular measuring vane (98 x 250 mm)

- 15 g/l (0.9 lb/ft³) when vane is covered by 10 cm (4") of material
- 20 g/l (1.2 lb/ft³) when vane is covered by more than 10 cm (4") of material
- See "Measuring Vanes" on page 10 for more information.

Alarm Output

- microswitch SPDT or DPDT contact 5 A at 250 V AC, non-inductive
- microswitch SPDT or DPDT contact 4 A at 30 V DC, non-inductive

Mechanical

Process Connections

- threaded connection 1", 1¼", 1½" NPT or 1", 1¼", 1½" BSP
material: stainless steel 303 (1.4305), optional aluminum
- flanged connection DN 32 PN 6, DN 100 PN 6, DN 100 PN 16, 2", 3", 4" ASME, 150 lb, B 16.5 (1.4541/321)

Enclosure

- construction epoxy coated aluminum
- conduit entry 2 x M20 x 1.5, or
2 x ½" NPT
- ingress protection Type 4X/NEMA 4X/IP66
- vane and shaft construction stainless steel 304 and 303 (1.4301 and 1.4305)

Weight

Standard temperature:

- compact 1.8 kg (4.0 lb)
- extended 2.2 kg (4.9 lb)
- angled extended 4.0 kg (8.8 lb)
- cable 3.2 kg (7.1 lb)

High temperature:

- compact 2.6 kg (5.7 lb)
- extended 3.0 kg (6.6 lb)
- angled extended 5.2 kg (11.4 lb)
- cable 4.0 kg (8.8 lb)

Environmental

- location indoor/outdoor
- altitude max. 2000 m (6562 ft)
- ambient temperature –25 to +60 °C (–13 to +140 °F)
- relative humidity 0 to 100 %, suitable for outdoor (ingress protection: Type 4X/NEMA 4X/IP66)
- Installation category III
- Pollution degree 2

Process

Temperature

Standard model:

- –25 to +80 °C (–13 to +176 °F)
- CSA temperature code: T5
- maximum surface temperature +120 °C (+248 °F) [ATEX relevant]

High temperature option:

- CE and General Purpose –25 to +350 °C (–13 to +662 °F)
- FM/ATEX Hazardous –25 to +250 °C (–13 to +482 °F)
- CSA Class II Group E, F –25 to +195 °C (–13 to +383 °F), CSA temperature code: T2D
- CSA Class II Group G –25 to +160 °C (–13 to +320 °F), CSA temperature code: T3B
- maximum surface temperature +220 °C (+428 °F) [ATEX relevant]

Pressure

- standard model max. 0.8 bar, gauge (11.6 psi, gauge)
- high pressure options max. 5 bar, gauge (72.5 psi, gauge)
max. 10 bar, gauge (145 psi, gauge)

Note: The device construction allows over-pressure between –0.2 and 0.1 bar in hazardous areas.



WARNINGS:

- **This product is designated as a Pressure Accessory per Directive 97 / 23 / EC, and is not intended for use as a safety device.**
- **Materials of construction are chosen based on their chemical compatibility (or inertness) for general purposes. For exposure to specific environments, check with chemical compatibility charts before installing.**

Approvals

- FM/cCSA Class II, Div. 1, Group E, F, G, Class III
- CSA_{US} Class II, Div. 2, Class III
- ATEX II 1/2 D (dust explosion)
- CE
- C-TICK
- FM/CSA General Purpose
(see product nameplate for approval details)

Installation

Mounting

Notes:

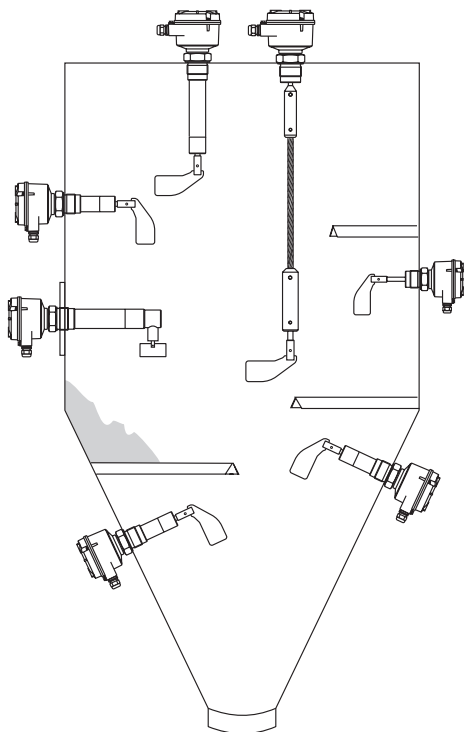
- Installation shall be performed by qualified personnel and in accordance with local governing regulations.
- For heavy material, only top mounting of paddle switch is recommended.
- Compact SITRANS LPS200 is recommended for side mounting on bins for low or intermediate levels.
- For SITRANS LPS200 Cable extension, the maximum pull force of the rope must not exceed 4 kN (28 kN with reinforced option).
- When installing LPS200 with rigid extension kit, ensure product is top mounted and never side or angle mounted.



WARNINGS:

- **This product is designated as a Pressure Accessory per Directive 97/23/EC, and is not intended for use as a safety device.**
- **Improper installation may result in loss of process pressure.**

SITRANS LPS200 is normally mounted into the vessel top (full detector) or through the tank wall at the detection level (full, demand or empty detector). SITRANS LPS200 can be installed through a standard 1/4" NPT or 1/2" BSPT pipe coupling, depending on the chosen process thread.



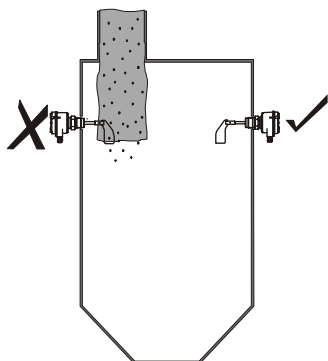
After mounting and as a precaution against water ingress into the housing, turn the housing clockwise until the cable entries point downward.

Notes:

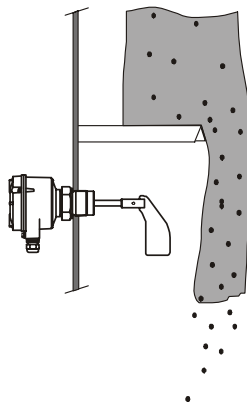
- Ensure measuring vane is out of any region that is susceptible to build-up.
- For heavy material loads and protection against falling material, provide angled protection.
- Ensure cable gland faces downward to avoid water intrusion.

Process Cautions

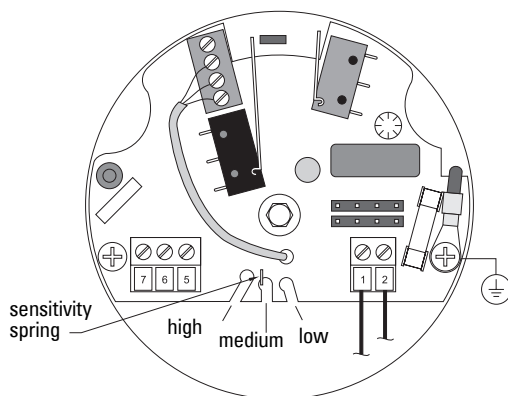
Caution: Keep SITRANS LPS200 out of path of falling material.



Caution: Protect shaft and measuring vane from falling material.



Sensitivity

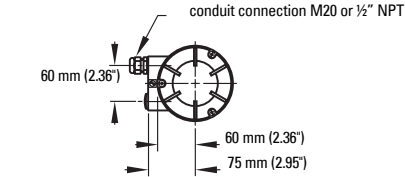


AC (SPDT relay) version shown

To adjust the sensitivity of SITRANS LPS200, use pliers to move the sensitivity spring to the appropriate position (factory setting is medium). The optional measuring vanes can also improve sensitivity.

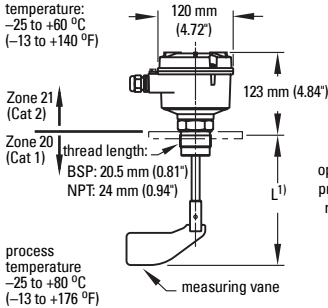
Dimensions and Temperature Ranges

Standard Model: compact version



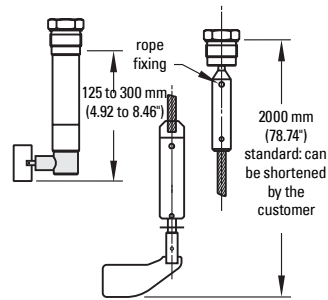
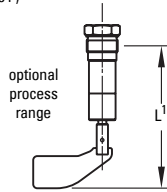
L = Length	
100 mm	3.94"
150 mm	5.91"
200 mm	7.87"
250 mm	9.84"
300 mm	11.81"

ambient temperature:
-25 to +60 °C
(-13 to +140 °F)



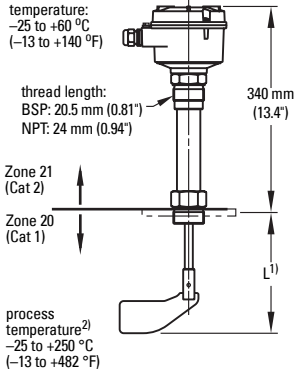
extended

angle extension rope option



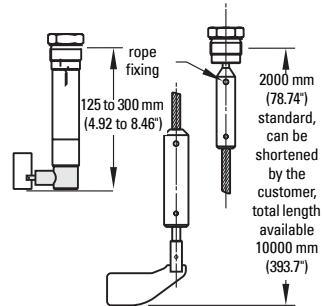
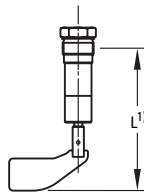
High Temperature Model: compact version

ambient temperature:
-25 to +60 °C
(-13 to +140 °F)



extended

angle extension rope option



¹⁾ For 35 x 106 mm boot shaped and 65 x 210 mm hinged measuring vanes, add 16 mm (0.63") to extension length.

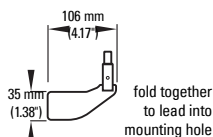
²⁾ For use with all approval options except CSA Class II. See manual for more details.

Notes:

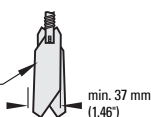
- For heavy material, only top mounting of paddle switch is recommended.
- Compact LPS200 is recommended for side mounting on bins for low or intermediate material levels.

Measuring Vanes

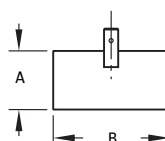
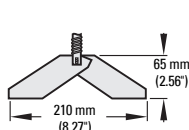
Standard



Hinged



Rectangular



Vane	Vane completely covered with bulk material		Bulk material covers the vane up to 10 cm (3.93")	
	Spring Adjustment		Spring Adjustment	
	Light	Central (factory setting)	Light	Central (factory setting)
boot shaped 35 x 106 mm	200 g/l (12.5 lb/ft ³)	300 g/l (18.7 lb/ft ³)	100 g/l (6.2 lb/ft ³)	150 g/l (9.4 lb/ft ³)
boot shaped 28 x 98 mm	300 g/l (18.7 lb/ft ³)	500 g/l (31.2 lb/ft ³)	150 g/l (9.4 lb/ft ³)	150 g/l (9.4 lb/ft ³)
rectangular 50 x 98 mm	300 g/l (18.7 lb/ft ³)	500 g/l (31.2 lb/ft ³)	150 g/l (9.4 lb/ft ³)	250 g/l (15.6 lb/ft ³)
rectangular 50 x 150 mm	80 g/l (5.0 lb/ft ³)	120 g/l (7.5 lb/ft ³)	40 g/l (2.5 lb/ft ³)	60 g/l (3.7 lb/ft ³)
rectangular 50 x 250 mm	30 g/l (1.9 lb/ft ³)	50 g/l (3.1 lb/ft ³)	15 g/l (0.9 lb/ft ³)	25 g/l (1.6 lb/ft ³)
rectangular 98 x 150 mm	30 g/l (1.9 lb/ft ³)	50 g/l (3.1 lb/ft ³)	15 g/l (0.9 lb/ft ³)	25 g/l (1.6 lb/ft ³)
rectangular 98 x 250 mm	20 g/l (1.2 lb/ft ³)	30 g/l (1.9 lb/ft ³)	15 g/l (0.9 lb/ft ³)	15 g/l (0.9 lb/ft ³)
hinged 65x 210 mm	70 g/l (4.4 lb/ft ³)	100 g/l (6.2 lb/ft ³)	35 g/l (2.2 lb/ft ³)	50 g/l (3.1 lb/ft ³)
hinged 60 x 200 mm	70 g/l (4.4 lb/ft ³)	100 g/l (6.2 lb/ft ³)	35 g/l (2.2 lb/ft ³)	50 g/l (3.1 lb/ft ³)

Rectangular vane options	
A	B
50 mm (1.97")	98 mm (3.86")
50 mm (1.97")	150 mm (5.90")
50 mm (1.97")	250 mm (9.84")
98 mm (3.86")	150 mm (5.90")
98 mm (3.86")	250 mm (9.84")

Wiring



WARNINGS:

- Open SITRANS LPS200 only when supply voltage is switched off.
- For switch-selectable voltage version, select correct voltage using manual voltage jumper before switching on the power supply.

Notes:

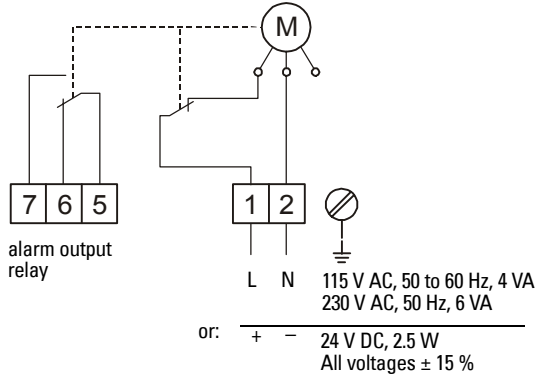
- All field wiring must have insulation suitable for at least 250 V AC.
- A disconnect switch shall be in close proximity to the equipment and within easy reach of the operator.
- Unused cable conduit fittings must be locked with a closing element or plug.
- Commissioning must be done only with a closed device.
- Observe all pertinent rules and regulations of the country of installation.

European Standards

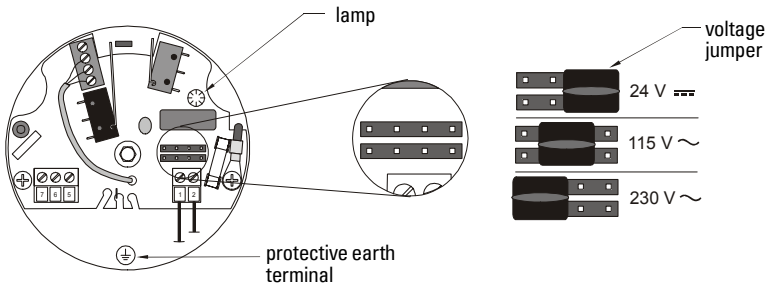
- When mounting SITRANS LPS200 in hazardous areas, make sure the customer-supplied cable gland and/or plugs are certified ATEX 100a Dust Ignition-Proof. The temperature range must be at least -20 to +80 °C (-4 to +176 °F). The minimum ingress protection requirement of IP6x according to European Standard EN 60529 must be satisfied. Observe special conditions for safe use of the cable gland as described by the gland's approval documentation.
- The requirements of European Standard EN 50281-1-2 regarding dust deposits and temperatures must be followed.

Connections

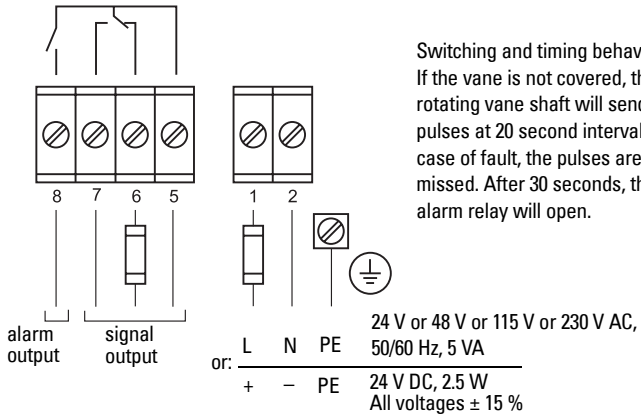
Switch-selectable voltage, SPDT relay



Select the voltage by placing the voltage jumper over the pins as illustrated below.



AC or DC version, SPDT relay, fail-safe

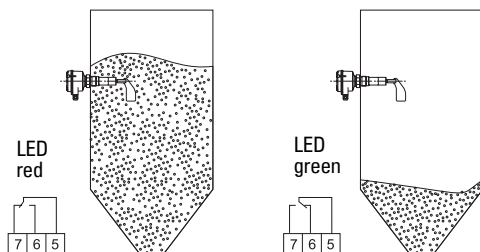


Switching and timing behaviour:
If the vane is not covered, the rotating vane shaft will send pulses at 20 second intervals. In case of fault, the pulses are missed. After 30 seconds, the alarm relay will open.

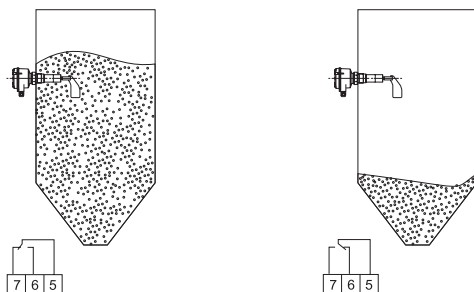
Connection Notes

- Before opening the lid, ensure there are no dust deposits around the SITRANS LPS200. Ensure that the atmosphere around SITRANS LPS200 is settled.
- Use a fuse for the signal output (max. 6 A).
- Make sure the main voltage does not exceed the maximum voltage listed on the product label and the setting of the voltage selector.
- In case of inexpert handling or handling malpractice, the electric safety of the device cannot be guaranteed.
- Provide protection for relay contacts to protect the device against spikes if inductive loads are connected.

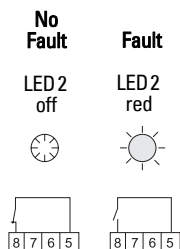
Switching Logic (switch-selectable voltage)



Switching Logic (non-switch selectable)

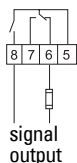


Alarm output - Fail-safe option



Connection example

Full detector with fail-safe option. Output signal signals a fault if level reaches high level switching point, the main voltage fails, there is a faulty connection, or if the unit is faulty.



SITRANS LPS200 requires no maintenance or cleaning under normal operating conditions. Under severe operating conditions, the measuring vane may require periodic cleaning. Brush off any accumulated deposits, taking care not to bend the vane.

Unit Repair and Excluded Liability

All changes and repairs must be done by qualified personnel, and applicable safety regulations must be followed. Please note the following:

- The user is responsible for all changes and repairs made to the device.
- All new components must be provided by Siemens Milltronics Process Instruments Inc.
- Restrict repair to faulty components only.
- Do not re-use faulty components.

Sicherheitshinweise

Warn- und Hinweistexte müssen besonders beachtet werden. Diese sind grau hinterlegt vom übrigen Text abgesetzt.



WARNUNG: bezieht sich auf ein Warnsymbol auf dem Produkt und bedeutet, dass bei Nicht-Einhalt der entsprechenden Vorsichtsmaßnahmen Tod, schwere Körperverletzung und/oder erheblicher Sachschaden eintreten können.



WARNUNG¹: bedeutet, dass bei Nicht-Einhalt der entsprechenden Vorsichtsmaßnahmen Tod, schwere Körperverletzung und/oder erheblicher Sachschaden eintreten können.

VORSICHT: bedeutet, dass bei Nicht-Einhalt der entsprechenden Vorsichtsmaßnahmen erheblicher Sachschaden eintreten kann.

Hinweis: steht für eine wichtige Information über das Produkt selbst oder den Teil der Betriebsanleitung, auf den besonders aufmerksam gemacht werden soll.

1. Dieses Symbol wird verwendet, wenn sich kein entsprechendes Vorsichtssymbol auf dem Produkt befindet.

Sicherheitssymbole

In der Betriebsanleitung:	Auf dem Produkt	Beschreibung
		(Etikett auf dem Produkt: gelber Hintergrund.) Vorsicht: Details sind in zugehörigen Dokumenten (Betriebsanleitung) aufgeführt.
		Erde (Masseklemme)
		Schutzleiterklemme

Die Betriebsanleitung

Hinweise:

- Bitte beachten Sie die Vorschriften für Installation und Betrieb, um eine schnelle, problemlose Installation, sowie maximale Genauigkeit und Zuverlässigkeit Ihres SITRANS LPS200 zu gewährleisten.
- Diese Betriebsanleitung bezieht sich ausschließlich auf den SITRANS LPS200.

Mit Hilfe der vorliegenden Anleitung können Sie Ihren SITRANS LPS200 optimal einstellen. Für Vorschläge und Bemerkungen zu Inhalt, Aufbau und Verfügbarkeit der Betriebsanleitung sind wir jederzeit offen.

Bitte richten Sie Ihre Kommentare an techpubs.smpi@siemens.com. Unter www.siemens.com/processautomation finden Sie ein vollständiges Archiv aller Siemens Milltronics Betriebsanleitungen.

SITRANS LPS200: Einleitung

Hinweise:

- Installation, Wartung und Inbetriebnahme müssen durch qualifiziertes, technisches Personal vorgenommen werden.
- Der SITRANS LPS200 darf nur gemäß den Anweisungen in dieser Betriebsanleitung verwendet werden.
- Dieses Produkt ist vorgesehen zum Gebrauch in Industrieumgebungen. Bei Verwendung in Wohngebieten kann es zu Störungen von verschiedenen Funkanwendungen kommen.

Der Drehflügelmelder SITRANS LPS200 findet als Voll-, Leer- oder Bedarfsmelder Einsatz in Applikationen mit Schüttgütern. Das Drehflügelprinzip eignet sich besonders für Materialien wie Getreide, Futterstoffe, Zement, Kunststoffgranulat und Holzspäne. Der Drehflügelmelder wird selbst den Anforderungen niedriger Materialdichten gerecht: 100 g/l (6,2 lb/ft³) mit dem Standardmessflügel, 35 g/l (2,2 lb/ft³) mit dem optionalen Klappflügel oder 15 g/l (0,9 lb/ft³) mit dem optionalen Rechteckflügel.

Merkmale des SITRANS LPS200

- Mechanische Dichtung
- Hilfsenergie AC, DC oder mit Spannungswähler
- Einzigartige Rutschkupplung. Stößt der Messflügel auf plötzlichen Widerstand, so verhindert die Rutschkupplung eine Beschädigung interner Bauteile.
- Optionale Laufüberwachung für Alarm bei Fehlerbedingungen oder Bauteilfehler.
- Verdrehbares Gehäuse
- Optionale Messflügel für den Einsatz mit Materialien hoher und geringer Schüttdichte bis 15 g/l (0,9 lb/ft³)
- Kurze Ausführung, Verlängerungsrohr senkrecht (nur senkrechter Einbau), Winkelausführung und Seilverlängerungen verfügbar
- Ausführungen für hohe Temperaturen und für hohen Druck verfügbar
- Optionales Verlängerungsset für die kompakte Ausführung lieferbar

Applikationen des SITRANS LPS200

- Getreide, Futter, Zement, Plastikgranulat, Holzspäne, Reis, Sojabohnen, usw.
- Materialien mit hoher oder geringer Dichte

Arbeitsprinzip

Ein drehgelagerter Messflügel wird von einem Synchrontriebemotor angetrieben. Erreicht das Füllgut den Messflügel, so wird dieser angehalten. Es kommt zu einem Kontaktschluss des Relais. Wenn der Messflügel nicht mehr bedeckt ist, dreht er sich erneut und das Relais kehrt in seinen normalen Zustand zurück.

Der synchronisierte Induktionsmotor ist frei im Gehäuse aufgehängt. Wenn die Drehbewegung durch das Material gebremst wird, entsteht ein Reaktionsdrehmoment, das ein elektrisches Signal zum Stoppen des Motors ausgibt. Sobald sich der Materialfüllstand vom Drehflügel entfernt, bringt eine Feder den Motor in seine Betriebsstellung zurück.

Zwei Motorgeschwindigkeiten sind verfügbar:

1 U/min, für Lagertanks

5 U/min, für höhere Geschwindigkeitsanforderungen des Prozesses

Technische Daten

Hinweis: Siemens Milltronics ist bestrebt, die Genauigkeit der technischen Daten zu gewährleisten, behält sich jedoch jederzeit das Recht auf Änderung vor.

Versorgungsspannung

- AC 115 V, 50 ... 60 Hz, 4VA
- AC 230 V, 50 Hz, 6 VA
- AC 24 oder 48 V
- DC 24 V, 2,5 W

Alle Spannungen $\pm 15\%$ (einschließlich $\pm 10\%$ gemäß IEC 61010-1)

Funktion

Alarmverzögerung

- Ausführung 1 U/min (Lagerapplikationen) ca. 1,3 s
- Ausführung 5 U/min (Prozessapplikationen) ca. 0,26 s

Empfindlichkeit

- einstellbar über Rückstellkraft der Feder
- optionale Messflügel verfügbar je nachdem, welche Empfindlichkeit erforderlich ist

Min. Schüttgewicht, annähernd

Standard Messflügel

- 100 g/l (6,2 lb/ft³) wenn der Flügel bis zu 10 cm (4") mit Material bedeckt ist
- 200 g/l (12,5 lb/ft³) wenn der Flügel mehr als 10 cm (4") mit Material bedeckt ist

Klappflügel

- 35 g/l (2,2 lb/ft³) wenn der Flügel bis zu 10 cm (4") mit Material bedeckt ist
- 70 g/l (4,4 lb/ft³) wenn der Flügel mehr als 10 cm (4") mit Material bedeckt ist

Rechteckflügel (98 x 250 mm)

- 15 g/l (0,9 lb/ft³) wenn der Flügel bis zu 10 cm (4") mit Material bedeckt ist
- 20 g/l (1,2 lb/ft³) wenn der Flügel mehr als 10 cm (4") mit Material bedeckt ist
- Weitere Angaben finden Sie unter "Messflügel" auf Seite 10.

Alarmausgang

- Mikroschalter SPDT oder DPDT Kontakt 5 A bei AC 250 V, ohmsche Last
- Mikroschalter SPDT oder DPDT Kontakt 4 A bei AC 30 V, ohmsche Last.

Mechanik

Prozessanschlüsse

- Gewindeanschluss 1", 1¼", 1½" NPT oder 1", 1¼", 1½" BSP
Material: Edelstahl W.-Nr. 1.4305 (303), Option Aluminium
- Flanschanschluss DN 32 PN 6, DN 100 PN 6, DN 100 PN 16, 2", 3", 4" ASME, 150 lb, B 16.5 (1.4541/321)

Gehäuse

- Bauweise Aluminium, epoxidbeschichtet
- Kabeleinführung 2 x M20 x 1.5 oder 2 x ½" NPT
- Schutzart IP65 / Typ 4 / NEMA 4
- Bauweise von Flügel und Welle Edelstahl 1.4301 und 1.4305 (304 und 303)

Gewicht

Standardtemperatur:

- kurze Ausführung 1,8 kg (4,0 lb)
- verlängerte Ausführung 2,2 kg (4,9 lb)
- Winkelverlängerung 4,0 kg (8,8 lb)
- Seilausführung 3,2 kg (7,1 lb)

Hochtemperatur:

- kurze Ausführung 2,6 kg (5,7 lb)
- verlängerte Ausführung 3,0 kg (6,6 lb)
- Winkelverlängerung 5,2 kg (11,4 lb)
- Seilausführung 4,0 kg (8,8 lb)

Umgebungsbedingungen

- Montage innen / im Freien
- Höhe max. 2000 m (6562 ft)
- Umgebungstemperatur -25 ... +60 °C (-13 ... +140 °F)
- relative Feuchtigkeit 0 ... 100 %, für Montage im Freien geeignet (Schutzart: IP65 / NEMA 4 / Type 4)
- Installationskategorie III
- Verschmutzungsgrad 2

Prozessdaten

Temperatur

Standardausführung:

- -25 ... +80 °C (-13 ... +176 °F)
- CSA Temperaturcode: T5
- maximale Oberflächentemperatur +120 °C (+248 °F) [ATEX relevant]

Option Hochtemperatur:

- CE und Allgemeine Verwendung –25 ... +350 °C (–13 ... +662 °F)
- FM/ATEX explosionsgefährdet –25 ... +250 °C (–13 ... +482 °F)
- CSA Class II Gruppe E, F –25 ... +195 °C (–13 ... +383 °F), CSA Temperaturcode: T2D
- CSA Class II Gruppe G –25 ... +160 °C (–13 ... +320 °F), CSA Temperaturcode: T3B
- maximale Oberflächentemperatur +220 °C (+428 °F) [ATEX relevant]

Druck

- Standardausführung max. 0,8 bar, Manometer (11,6 psi, Manometer)
- Hochdruckausführung max. 5 bar, Manometer (72.5 psi, Manometer)
max. 10 bar, Manometer (145 psi, Manometer)

Hinweis: Die Gerätebauweise erträgt einen Überdruck zwischen -0,2 und 0,1 bar in explosionsgefährdeten Bereichen.



WARNUNGEN:

- **Dieses Produkt wird als druckhaltendes Ausrüstungsteil im Sinne der Richtlinie 97 / 23 / EG bezeichnet und ist nicht für den Einsatz als Sicherheitsvorrichtung bestimmt.**
- **Die Werkstoffe werden entsprechend ihrer chemischen Beständigkeit (oder Trägheit) für allgemeine Zwecke gewählt. Bei Einsatz in besonderen Umgebungen prüfen Sie vor Installation die chemische Beständigkeit anhand einschlägiger Tabellen.**

Zulassungen

- FM/cCSA Class II, Div. 1, Gruppe E, F, G, Class III
- CSA_{US} Class II, Div. 2, Class III
- ATEX II 1/2 D (Staubexplosion)
- CE
- C-TICK
- FM/CSA Allgemeine Verwendung
(Nähere Angaben zu den Zulassungen finden Sie auf dem Typenschild)

Installation

Montage

Hinweise:

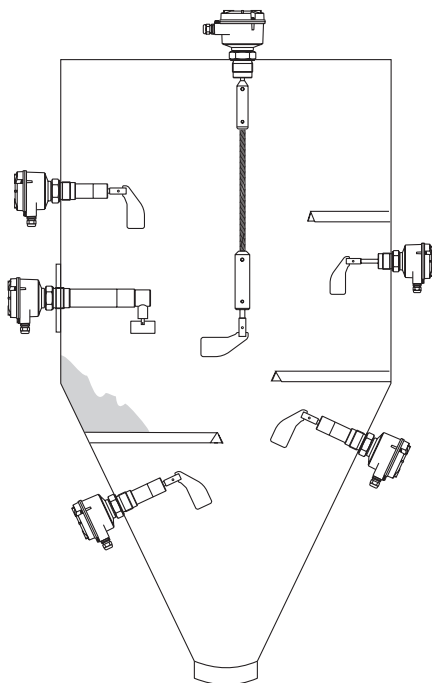
- Die Installation darf nur durch qualifiziertes Personal und unter Beachtung der lokalen Bestimmungen durchgeführt werden.
- Für schweres Material wird ein senkrechter Einbau von oben empfohlen.
- Die kurze Ausführung des SITRANS LPS200 wird für einen waagrecht Einbau in Behälter mit niedrigen oder mittleren Füllständen empfohlen.
- Für die Seilverlängerung des SITRANS LPS200 darf die maximale Zugkraft des Seils 4 kN (28 kN bei verstärkter Option) nicht überschreiten.
- Beim Einbau des LPS200 mit Stabverlängerungsset muss darauf geachtet werden, dass das Gerät senkrecht von oben montiert wird und niemals waagrecht oder schräg.



! WARNUNGEN:

- **Dieses Produkt wird als druckhaltendes Ausrüstungsteil im Sinne der Richtlinie 97 / 23 / EG bezeichnet und ist nicht für den Einsatz als Sicherheitsvorrichtung bestimmt.**
- **Eine unsachgemäße Installation kann zu Druckverlust im Prozess führen.**

Der SITRANS LPS200 wird üblicherweise senkrecht von oben (als Vollmelder) oder durch die Behälterwand in Höhe des zu erfassenden Füllstandes (als Voll-, Leer- oder Bedarfsmelder) eingebaut. Je nach gewähltem Prozessgewinde kann der SITRANS LPS200 durch eine Standard 1¼" NPT oder 1½" BSPT Einführung installiert werden.



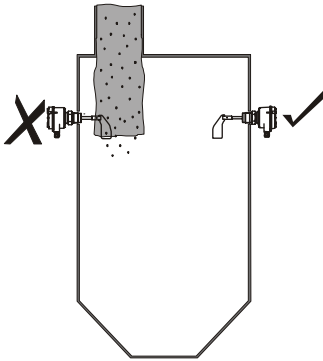
Nach der Montage drehen Sie das Gehäuse im Uhrzeigersinn, bis die Kabeleinführung nach unten zeigt. Damit wird ein Wassereintritt ins Gehäuse verhindert.

Hinweise:

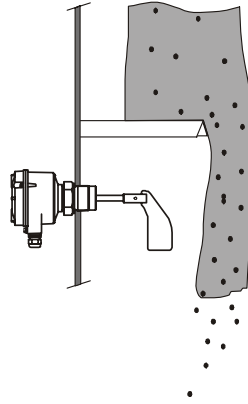
- Vermeiden Sie Stellen, an denen der Messflügel Materialanbackungen ausgesetzt ist.
- Bei schweren Materiallasten und als Schutz vor herabfallendem Material sind Schutzdächer empfehlenswert.
- Kabelverschraubung zeigt nach unten zur Vermeidung von Wassereintritt.

Prozessbedingungen

Vorsicht: Den SITRANS LPS200 nicht unterhalb der Befüllung anbringen.

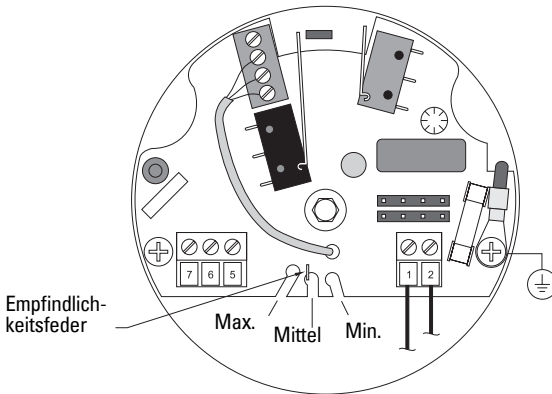


Vorsicht: Schützen Sie die Welle und den Messflügel vor herabfallendem Material.



Deutsch

Empfindlichkeit

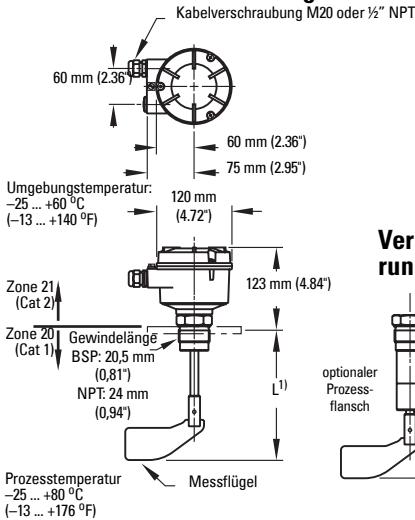


Abgebildet ist die AC Ausführung (SPDT Relais)

Zur Einstellung der Empfindlichkeit des SITRANS LPS200 verwenden Sie eine Zange, um die Feder in die gewünschte Stellung zu bringen (Werkseinstellung: mittel). Die optionalen Messflügel können ebenfalls die Empfindlichkeit verbessern.

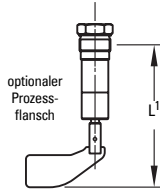
Abmessungen und Temperaturbereiche

Standard: kurze Ausführung

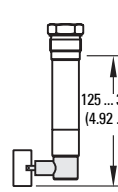


L = Länge	
100 mm	3.94"
150 mm	5.91"
200 mm	7.87"
250 mm	9.84"
300 mm	11.81"

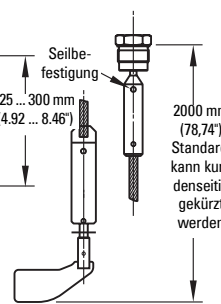
Verlängerungsrohr



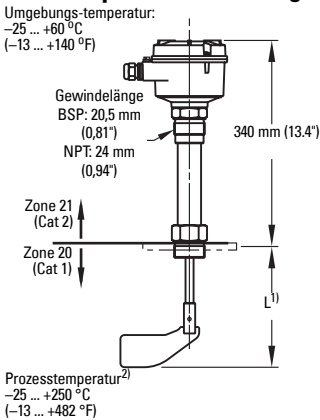
Winkelverlängerung



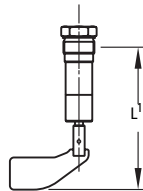
Seiloption



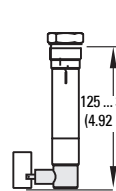
Hochtemperaturausführung: kurze Ausführung



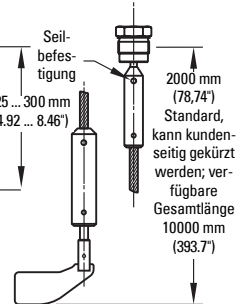
Verlängerungsrohr



Winkelverlängerung



Seiloption



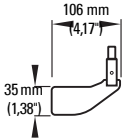
1) Für 35 x 106 mm Muffenflügel und 65 x 210 mm Klappflügel fügen Sie der Länge des Auslegers 16 mm (0.63") zu.

2) Zum Einsatz mit allen Zulassungsoptionen außer CSA Class II. Nähere Angaben finden Sie in der Betriebsanleitung.

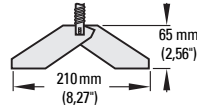
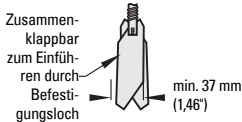
Hinweise:

- Bei schwerem Material wird ein senkrechter Einbau von oben empfohlen.
- Die kurze Ausführung des LPS200 eignet sich bei seitlichem Einbau für Behälter mit niedrigen oder mittleren Füllständen.

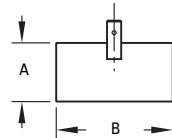
Messflügel Standard



Klappflügel



Rechteck



Flügel	Messflügel völlig mit Schüttgut bedeckt		Messflügel bis 10 cm (3.93") mit Schüttgut bedeckt	
	Federeinstellung		Federeinstellung	
	Leicht	Mittel (Werkseinstellung)	Leicht	Mittel (Werkseinstellung)
Muffenflügel 35 x 106 mm	200 g/l (12,5 lb/ft ³)	300 g/l (18,7 lb/ft ³)	100 g/l (6,2 lb/ft ³)	150 g/l (9,4 lb/ft ³)
Muffenflügel 28 x 98 mm	300 g/l (18,7 lb/ft ³)	500 g/l (31,2 lb/ft ³)	150 g/l (9,4 lb/ft ³)	150 g/l (9,4 lb/ft ³)
Rechteckig 50 x 98 mm	300 g/l (18,7 lb/ft ³)	500 g/l (31,2 lb/ft ³)	150 g/l (9,4 lb/ft ³)	250 g/l (15,6 lb/ft ³)
Rechteckig 50 x 150 mm	80 g/l (5,0 lb/ft ³)	120 g/l (7,5 lb/ft ³)	40 g/l (2,5 lb/ft ³)	60 g/l (3,7 lb/ft ³)
Rechteckig 50 x 250 mm	30 g/l (1,9 lb/ft ³)	50 g/l (3,1 lb/ft ³)	15 g/l (0,9 lb/ft ³)	25 g/l (1,6 lb/ft ³)
Rechteckig 98 x 150 mm	30 g/l (1,9 lb/ft ³)	50 g/l (3,1 lb/ft ³)	15 g/l (0,9 lb/ft ³)	25 g/l (1,6 lb/ft ³)
Rechteckig 98 x 250 mm	20 g/l (1,2 lb/ft ³)	30 g/l (1,9 lb/ft ³)	15 g/l (0,9 lb/ft ³)	15 g/l (0,9 lb/ft ³)
Klappflügel 65 x 210 mm	70 g/l (4,4 lb/ft ³)	100 g/l (6,2 lb/ft ³)	35 g/l (2,2 lb/ft ³)	50 g/l (3,1 lb/ft ³)
Klappflügel 60 x 200 mm	70 g/l (4,4 lb/ft ³)	100 g/l (6,2 lb/ft ³)	35 g/l (2,2 lb/ft ³)	50 g/l (3,1 lb/ft ³)

Rechteck-Flügeloptionen	
A	B
50 mm (1.97")	98 mm (3.86")
50 mm (1.97")	150 mm (5.90")
50 mm (1.97")	250 mm (9.84")
98 mm (3.86")	150 mm (5.90")
98 mm (3.86")	250 mm (9.84")

Anschluss



WARNUNGEN:

- Den SITRANS LPS200 nur im spannungsfreien Zustand öffnen.
- Bei der Ausführung mit Spannungswähler muss vor Anlegen der Hilfsenergie mit der manuellen Steckbrücke die korrekte Spannung gewählt werden.

Hinweise:

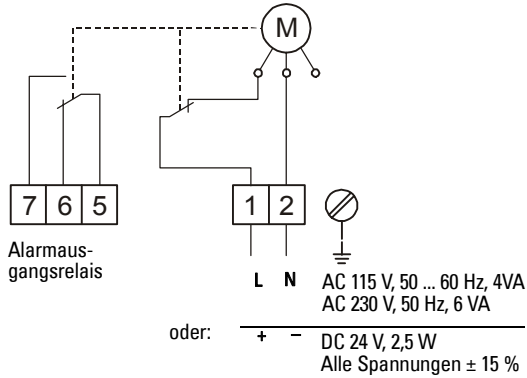
- Alle Feldanschlüsse müssen gegen mind. AC 250 V isoliert sein.
- Ein Schalter als Trennvorrichtung für die Anschlussspannung muss in der Nähe des Gerätes und für den Bediener leicht erreichbar angebracht sein.
- Ungenutzte Anschlussstücke des Kabelschutzrohrs müssen auf geeignete Weise verschlossen oder verstopft werden.
- Inbetriebnahme nur bei geschlossenem Gerät.
- Beachten Sie alle einschlägigen Regeln und Richtlinien des Installationslandes.

Europäische Normen

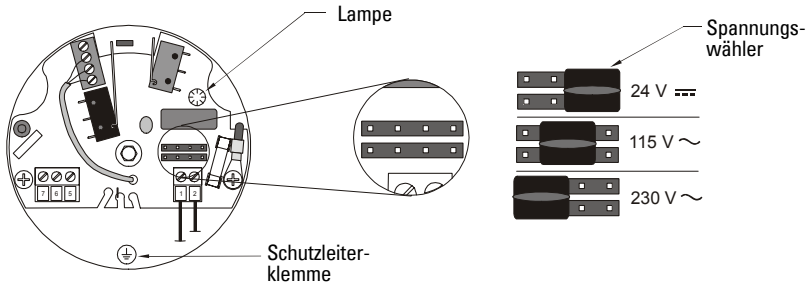
- Bei der Montage des SITRANS LPS200 in Ex-Bereichen muss sichergestellt werden, dass die kundenseitige Kabelverschraubung und/oder Stopfen nach ATEX 100a staubexplosionssicher zugelassen sind. Der minimale Temperaturbereich muss -20 ... +80 °C (-4 ... +176 °F) betragen. Die Mindestanforderungen an die Schutzart IP6x gemäß der Europäischen Norm EN 60529 müssen erfüllt werden. Für den sicheren Einsatz der Kabelverschraubungen sind die in der zugehörigen Dokumentation beschriebenen Sonderbedingungen zu beachten.
- Die Anforderungen der Europäischen Norm EN 50281-1-2 bezüglich Staubablagerungen und Temperaturen müssen eingehalten werden.

Anschlüsse

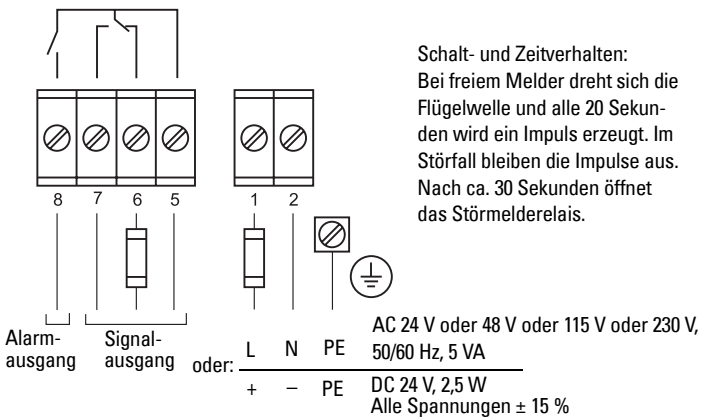
Ausführung mit Spannungswähler, SPDT Relais



Setzen Sie den Spannungswähler auf der Leiterplatte wie unten abgebildet auf die benötigte Spannung.



AC oder DC Ausführung, SPDT Relais, mit Laufüberwachung



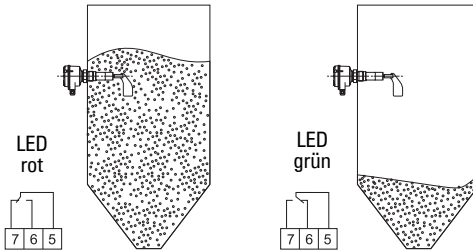
Schalt- und Zeitverhalten:
Bei freiem Melder dreht sich die Flügelwelle und alle 20 Sekunden wird ein Impuls erzeugt. Im Störfall bleiben die Impulse aus. Nach ca. 30 Sekunden öffnet das Störmelderrelais.

Hinweise zum Anschluss

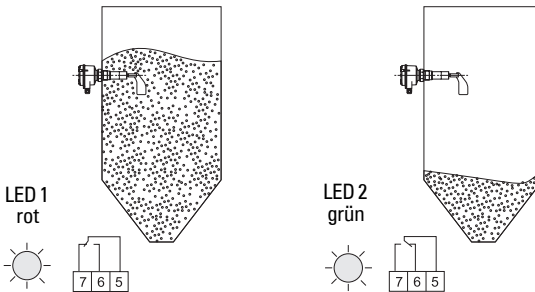
- Vor dem Öffnen des Gehäuses prüfen Sie, dass sich um den SITRANS LPS200 keine Staubablagerungen befinden. Die Atmosphäre um den SITRANS LPS200 muss beständig sein.
- Verwenden Sie eine Sicherung für den Signalausgang (max. 6 A).
- Die Netzspannung darf die auf dem Etikett des Produkts angegebene Spannung und die am Gerät gewählte Spannung nicht überschreiten.
- Bei unsachgemäßem Gebrauch wird kein Geräteschutz gewährleistet.
- Zum Schutz vor Spannungsspitzen bei induktiven Lasten ist ein Schutz für die Relaiskontakte vorzusehen.

Deutsch

Schaltlogik (Ausführung mit Spannungswähler)



Schaltlogik (ohne Spannungswähler)



Alarmausgang - Option Laufüberwachung

Kein Fehlerfall

LED 2 aus



Fehler

LED 2 rot



Anschlussbeispiel

Vollmelder mit Laufüberwachung. Ausgangssignal meldet einen Fehler, wenn der Füllstand einen Max. Schaltpunkt erreicht, bei Spannungsausfall oder Leitungsbruch oder bei defektem Gerät.



Signal-
ausgang

Wartung

Unter normalen Betriebsbedingungen erfordert der SITRANS LPS200 keine Wartung oder Reinigung. Unter schwierigen Betriebsbedingungen kann eine regelmäßige Reinigung des Messflügels erforderlich sein. Bürsten Sie eventuelle Materialablagerungen ab und achten Sie dabei darauf, den Flügel nicht zu verbiegen.

Gerätereparatur und Haftungsausschluss

Alle Änderungen und Reparaturen müssen von qualifiziertem Personal unter Beachtung der jeweiligen Sicherheitsbestimmungen vorgenommen werden. Bitte beachten Sie:

- Der Benutzer ist für alle Änderungen und Reparaturen am Gerät verantwortlich.
- Alle neuen Bauteile sind von Siemens Milltronics Process Instruments Inc. bereit zu stellen.
- Reparieren Sie lediglich defekte Bauteile.
- Defekte Bauteile dürfen nicht wiederverwendet werden.

Notas de seguridad

Es imprescindible respetar las indicaciones de seguridad y advertencias indicadas en gris.



ADVERTENCIA: información que se refiere a un marcado colocado en el producto. Significa que al no observar las precauciones de seguridad se puede producir la muerte, lesiones corporales graves o daños materiales considerables.



ADVERTENCIA¹: significa que al no observar las precauciones de seguridad se puede producir la muerte, lesiones corporales graves o daños materiales considerables.

PRECAUCIÓN: significa que al no observar las precauciones de seguridad se pueden producir daños materiales considerables.

Nota: es una información importante acerca del producto mismo o de la parte respectiva del manual, al cual se debe atender especialmente.

1. Símbolo utilizado cuando el producto no lleva marcado de seguridad.

Indicaciones de seguridad

Símbolo (manual)	En el sensor	Descripción
		(Etiqueta del instrumento: fondo amarillo.) Precaución: véase la documentación adjunta (manual del usuario).
		Borne de tierra
		Borne de conexión del conductor de protección

Acerca del manual

Notas:

- Para lograr una instalación correcta y optimizar el rendimiento del sistema SITRANS LPS200 deben tenerse en cuenta las instrucciones de instalación y funcionamiento.
- Las instrucciones siguientes sólo se refieren al sistema SITRANS LPS200.

El presente manual contiene las informaciones necesarias para obtener el máximo rendimiento del SITRANS LPS200. No dude en enviarnos sus sugerencias y comentarios acerca del contenido y diseño de este manual.

Por favor dirija sus comentarios a techpubs.smpi@siemens.com. Para más información acerca de la biblioteca de manuales Siemens Milltronics, consulte el sitio www.siemens.com/processautomation.

Introducción al SITRANS LPS200

Notas

- La instalación, el mantenimiento y la puesta en marcha tienen que ser llevados a cabo por personal técnico cualificado.
- El SITRANS LPS200 debe funcionar únicamente de la manera como lo especifica el fabricante.
- Este aparato se ha diseñado para el uso en ámbito industrial. El uso de este aparato en instalaciones residenciales puede causar interferencias a las comunicaciones por radio.

El monitor de paleta rotativo SITRANS LPS200 proporciona una segura detección del nivel límite de materiales a granel. Pointek PLS 200 detecta el nivel alto, bajo o el nivel de llenado de silos, tolvas o depósitos de almacenamiento de granos, alimentos, cemento, gránulos de plástico y astillas, o virutas de madera. La paleta puede detectar niveles en productos con densidades de 100 g/l (6,2 lb/ft³, estándar), 35 g/l (2,2 lb/ft³) con una paleta articulada opcional ó 15 g/l (0,9 lb/ft³) con una paleta rectangular opcional.

Principales características SITRANS LPS200

- Sello mecánico altamente resistente
- Alimentación eléctrica AC, DC o seleccionable por conmutador
- Mecanismo de embrague de fricción. Cuando el material alcanza la paleta su rotación se detiene. Este mecanismo protege los componentes internos
- Alarmas de autoprotección opcional en caso de fallo o defecto de un componente
- Caja orientable
- Paletas opcionales para materiales de alta/baja densidad, máx. 15 g/l (0,9 lb/ft³)
- Diferentes prolongaciones: compacta rígida (montaje vertical únicamente), angular rígida y de cable
- Modelos para aplicaciones de altas temperaturas y presiones
- Kit para extensión opcional (modelo compacto)

Aplicaciones SITRANS LPS200

- Granos, alimentos, cemento, gránulos de plástico, astillas o virutas de madera, arroz, semillas de soja, ...
- Detecta materiales de alta/baja densidad

Principio de funcionamiento

Un motor de engranajes de baja resolución maneja una paleta rotativa. Cuando el llenado alcanza la paleta su rotación se obstaculiza y se detiene. Esto provoca el cierre del contacto micro-interruptor. Si el nivel baja, la paleta rotativa se libera y el micro-interruptor vuelve a su posición original.

El motor asíncrono sincronizado está suspendido en la caja del detector. Si el material obstaculiza la rotación de la paleta, el torque de reacción hace operar un micro-interruptor que genera una señal eléctrica para parar el motor. La disminución del nivel de material libera la paleta rotativa, y el motor vuelve a su posición original mediante un resorte. Esto provoca la conmutación del contacto micro-interruptor a su posición anterior y el accionamiento del motor.

El detector está dotado de un motor de dos velocidades:

- 1 rpm para depósitos de almacenamiento
- 5 rpm, para procesos más rápidos.

Datos técnicos

Nota: Siemens Milltronics hace todo lo necesario para garantizar la exactitud de las especificaciones que figuran en este manual. Sin embargo, estas informaciones quedan sujetas a cambios sin preaviso.

Alimentación auxiliar

- 115 V AC, 50 ... 60 Hz, 4 VA
- 230 V AC, 50 Hz, 6 VA
- 24 ó 48 V AC
- 24 V DC, 2.5 W

± 15 % aplicable a todas la tensiones de alimentación (incluyendo ± 10 % de acuerdo a la norma IEC 61010-1)

Rendimiento

Retardo alarma

- 1 modelo 1 rpm (almacenamiento) 1,3 seg aproximadamente
- 5 modelo 5 rpm (procesos) 0,26 seg aproximadamente

Sensibilidad

- Ajuste de la tensión del resorte
- Paletas opcionales para satisfacer requisitos de sensibilidad específicos

Densidad mínima aproximativa del material

Paleta estándar

- 100 g/l (6,2 lb/ft³) si la paleta está cubierta por 10 cm (4") de material
- 200 g/l (12,5 lb/ft³) si la paleta está cubierta por más de 10 cm (4") de material

Paleta articulada

- 35 g/l (2,2 lb/ft³) si la paleta está cubierta por 10 cm (4") de material
- 70 g/l (4,4 lb/ft³) si la paleta está cubierta por más de 10 cm (4") de material

Paleta rectangular (98 x 250 mm)

- 15 g/l (0,9 lb/ft³) si la paleta está cubierta por 10 cm (4") de material
- 20 g/l (1,2 lb/ft³) si la paleta está cubierta por más de 10 cm (4") de material
- Para más detalles ver "Paletas" en la página 9.

Salida de alarma

- Contacto micro-interruptor SPDT ó DPDT, 5 A a 250 V AC, carga óhmica
- Contacto micro-interruptor SPDT ó DPDT, 4 A a 30 V DC, carga óhmica

Construcción mecánica

Conexión al proceso

- Rosca 1", 1¼", 1½" NPT ó 1", 1¼", 1½" BSP
material: acero inoxidable 303 (1.4305)
opción: aluminio
- Brida DN 32 PN 6, DN 100 PN 6, DN 100 PN 16, 2", 3", 4" ASME, 150 lb, B 16.5 (1.4541/321)

Caja

- Construcción aluminio con revestimiento epoxi
- Entrada de cables 2 x M20 x 1.5, ó 2 x ½" NPT
- Tipo de protección Tipo 4/NEMA 4/IP65
- Paleta y árbol acero inoxidable 304 y 303 (1.4301 y 1.4305)

Peso

Temperatura estándar:

- Compacto 1,8 kg (4,0 lb)
- Con prolongación 2,2 kg (4,9 lb)
- Angular con prolongación 4,0 kg (8,8 lb)
- Cable 3,2 kg (7,1 lb)

Alta temperatura:

- Compacto 2,6 kg (5,7 lb)
- Prolongación 3,0 kg (6,6 lb)
- Angular con prolongación 5,2 kg (11,4 lb)
- Cable 4,0 kg (8,8 lb)

Condiciones ambientales

- Ubicación montaje interior/a prueba de intemperie
- Altitud máx. 2000 m (6562 ft)
- Temperatura ambiente -25 ... +60 °C (-13 ... +140 °F)
- Humedad relativa 0 ... 100 %, a prueba de intemperie (tipo de protección: Tipo 4/NEMA 4/IP65)
- Categoría de instalación III
- Grado de contaminación 2

Temperatura de proceso

Modelo estándar:

- -25 ... +80 °C (-13 ... +176 °F)
- Código temperatura (CSA): T5
- Máxima temperatura en la superficie +120 °C (+248 °F) [ATEX]

Alta temperatura opcional:

- CE y uso general -25 ... +350 °C (-13 ... +662 °F)
- Areas con riesgo de explosión FM/ATEX-25 ... +250 °C (-13 ... +482 °F)

- CSA Clase II Grupos E, F -25 ... +195 °C (-13 ... +383 °F), CSA, código de temp.: T2D
- CSA Clase II Grupo G -25 ... +160 °C (-13 ... +320 °F), código de temp. CSA: T3B
- Máxima temperatura en la superficie +220 °C (+428 °F) [ATEX]

Presión

- Modelo estándar máx. 0.8 bar, (11.6 psi) presión efectiva
- Alta presión (opciones) máx. 5 bar, (72,5 psi, presión efectiva)
máx. 10 bar, presión efectiva (145 psi, efectiva)

Nota: El dispositivo está protegido contra aumentos de la presión (de -0,2 a 0,1 bar) en entornos peligrosos.



ADVERTENCIAS:

- **De acuerdo con la Directiva 97 / 23 / CE, este dispositivo se define equipo a presión y no está diseñado para ser utilizado como aparato de seguridad.**
- **Los materiales de construcción son seleccionados en base a su compatibilidad química (o inertidad) para usos generales. Antes de instalar el dispositivo en ambientes específicos consulte las tablas de compatibilidad química.**

Certificados y homologaciones

- FM/cCSA Clase II, Div. 1, Grupo E, F, G, Clase III
- CSA_{US} Clase II, Div. 2, Clase III
- ATEX II 1/2 D (explosión de polvos combustibles)
- CE
- C-TICK
- FM/CSA uso general (para más detalles ver la placa indicadora en el aparato).

Instalación

Montaje

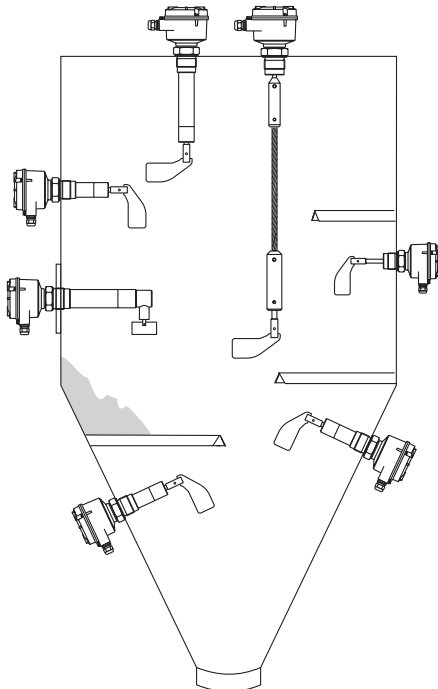
Notas:

- Sólo el personal cualificado está autorizado a intervenir en este equipo para la instalación. Observar las indicaciones y los procedimientos de seguridad.
- En aplicaciones con materiales pesados se recomienda instalar el detector en la parte superior del depósito.
- El SITRANS LPS200 compacto está diseñado para el montaje en las paredes de un silo y detecta niveles bajos e intermedios.
- El SITRANS LPS200 con prolongación de cable soporta una fuerza de tracción de 4 kN (28 kN con opción reforzada).
- En caso de empleo de un LPS200 con prolongación rígida resulta **necesario** el montaje vertical.

! ADVERTENCIAS:

- **De acuerdo con la Directiva 97/23/CE, este dispositivo se define equipo a presión y no está diseñado para ser utilizado como aparato de seguridad.**
- **La instalación incorrecta puede provocar una caída de presión del proceso.**

El SITRANS LPS200 está diseñado para el montaje vertical (punto de conexión lleno) / horizontal (punto de conexión lleno, nivel de llenado o vacío). En función de las necesidades, el sensor SITRANS LPS200 se puede instalar en la conexión roscada con un acoplamiento tubo 1¼" NPT ó 1½" BSP.



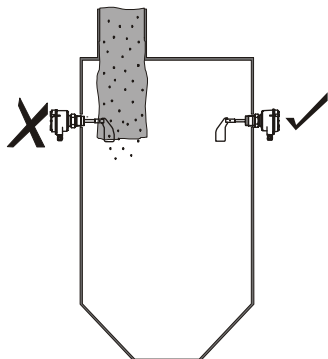
En caso de montaje horizontal girar hacia abajo el racor atornillado para cables para evitar la penetración de la humedad.

Notas:

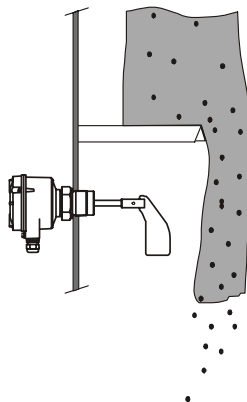
- Prestar atención a que la paleta no esté sometida a depósitos y acumulaciones de material.
- En caso de materiales compactos y pesados, poner una protección inclinada adecuada inmediatamente encima del detector.
- Girar hacia abajo el racor atornillado para cables para evitar la penetración de agua.

Observaciones relativas al proceso

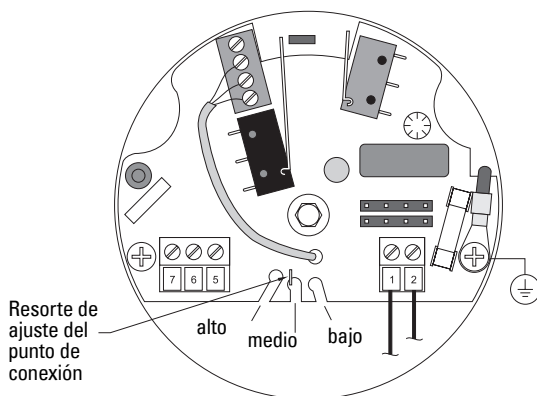
Precaución: Prestar atención a que el SITRANS LPS200 no esté sometido a cargas laterales o a la entrada de material.



Precaución: Proteger el eje y la paleta de corrientes de llenado de material.



Sensibilidad

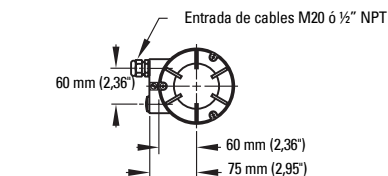


Versión ilustrada: AC (relé SPDT)

El ajuste de la sensibilidad (o punto de conexión) del SITRANS LPS200 debe realizarse con pinzas adecuadas. Colocar el resorte en la posición deseada (valor de fábrica: medio). Con las paletas opcionales también se puede mejorar la sensibilidad de detección del sensor.

Dimensiones y rangos de temperatura

Estándar: compacto

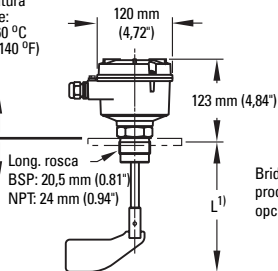


L = Longitud	
100 mm	3.94"
150 mm	5.91"
200 mm	7.87"
250 mm	9.84"
300 mm	11.81"

Temperatura ambiente:
-25 ... +60 °C
(-13 ... +140 °F)

Zona 21
(Cat 2)

Zona 20
(Cat 1)



Temperatura de proceso²⁾
-25 ... +80 °C
(-13 ... +176 °F)

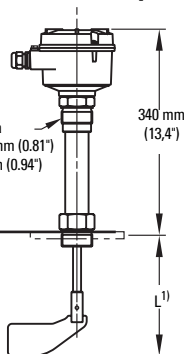
Modelo para altas temperaturas: compacto

Temperatura ambiente:
-25 ... +60 °C
(-13 ... +140 °F)

Long. rosca
BSP: 20,5 mm (0,81")
NPT: 24 mm (0,94")

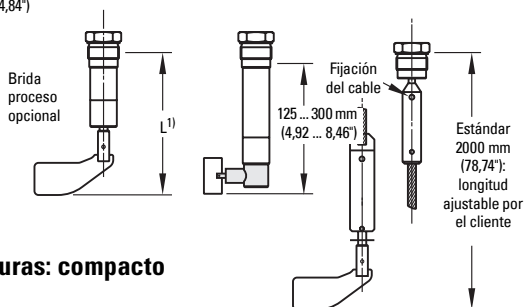
Zona 21
(Cat 2)

Zona 20
(Cat 1)

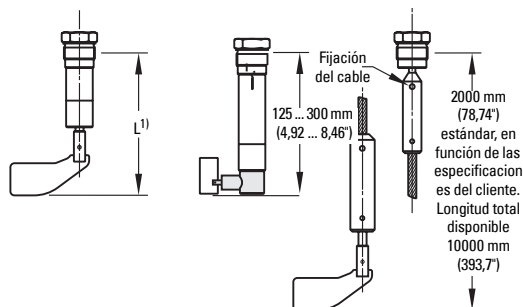


Temperatura de proceso²⁾
-25 ... +250 °C
(-13 ... +482 °F)

Prolongación Prol. angular Cable opcional



Prolongación Prol. angular Cable opcional



¹⁾ Para paletas diagonales de 35 x 106 mm y paletas articuladas de 65 x 210 mm añadir 16 mm (0,63") a la longitud de extensión.

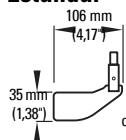
²⁾ Conforme a todas las normas excepto CSA Clase II. Véase el manual de instrucciones.

Notes:

- En aplicaciones con materiales pesados se recomienda instalar la paleta en la parte superior del tanque o depósito.
- Para medir niveles bajos o intermedios colocar el LPS200 compacto en la parte lateral del depósito.

Paletas

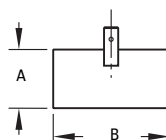
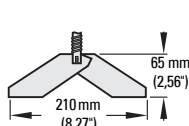
Estándar



Articulada



Rectangular



Paleta	Paleta cubierta por el material		El material cubre la paleta hasta 10 cm (3.93")	
	Ajuste del resorte		Ajuste del resorte	
	Ligero	Central (ajuste de fábrica)	Ligero	Central (ajuste de fábrica)
Diagonal 35 x 106 mm	200 g/l (12,5 lb/ft ²)	300 g/l (18,7 lb/ft ²)	100 g/l (6,2 lb/ft ²)	150 g/l (9,4 lb/ft ²)
Diagonal 28 x 98 mm	300 g/l (18,7 lb/ft ²)	500 g/l (31,2 lb/ft ²)	150 g/l (9,4 lb/ft ²)	150 g/l (9,4 lb/ft ²)
Rectangular 50 x 98 mm	300 g/l (18,7 lb/ft ²)	500 g/l (31,2 lb/ft ²)	150 g/l (9,4 lb/ft ²)	250 g/l (15,6 lb/ft ²)
Rectangular 50 x 150 mm	80 g/l (5,0 lb/ft ²)	120 g/l (7,5 lb/ft ²)	40 g/l (2,5 lb/ft ²)	60 g/l (3,7 lb/ft ²)
Rectangular 50 x 250 mm	30 g/l (1,8 lb/ft ²)	50 g/l (3 lb/ft ²)	15 g/l (0,9 lb/ft ²)	25 g/l (1,5 lb/ft ²)
Rectangular 98 x 150 mm	30 g/l (1,9 lb/ft ²)	50 g/l (3,1 lb/ft ²)	15 g/l (0,9 lb/ft ²)	25 g/l (1,6 lb/ft ²)
Rectangular 98 x 250 mm	20 g/l (1,2 lb/ft ²)	30 g/l (1,9 lb/ft ²)	15 g/l (0,9 lb/ft ²)	15 g/l (0,9 lb/ft ²)
Articulada 65x 210 mm	70 g/l (4,4 lb/ft ²)	100 g/l (6,2 lb/ft ²)	35 g/l (2,2 lb/ft ²)	50 g/l (3,1 lb/ft ²)
Articulada 60x 200 mm	70 g/l (4,4 lb/ft ²)	100 g/l (6,2 lb/ft ²)	35 g/l (2,2 lb/ft ²)	50 g/l (3,1 lb/ft ²)

Opciones aplicables a las paletas rectangulares	
A	B
50 mm (1.97")	98 mm (3.86")
50 mm (1.97")	150 mm (5.90")
50 mm (1.97")	250 mm (9.84")
98 mm (3.86")	150 mm (5.90")
98 mm (3.86")	250 mm (9.84")

Conexión eléctrica



ADVERTENCIAS:

- **Desconectar la alimentación de corriente antes de abrir el SITRANS LPS200.**
- **En el caso de modelos con interruptor, seleccionar manualmente la tensión con el puente (jumper) antes de activar la alimentación.**

Notas:

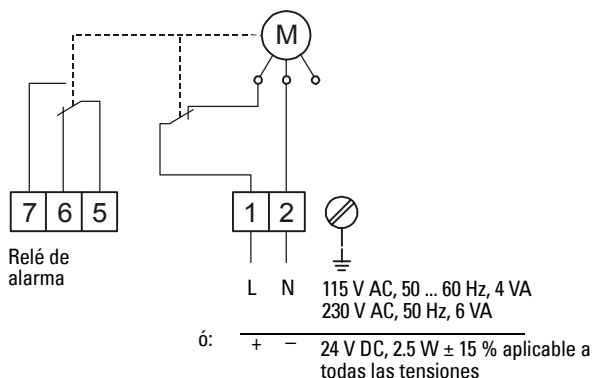
- Todos los cableados deben ser protegidos para 250 V AC.
- Deberá proveerse un interruptor de desconexión fácilmente accesible a proximidad del detector.
- Cerrar los conductos inutilizados con elementos o tapones apropiados.
- Antes de efectuar la puesta en marcha comprobar que la caja del detector esté cerrada.
- Observar las normas y disposiciones pertinentes en el país donde se va a utilizar el equipo.

Normas europeas

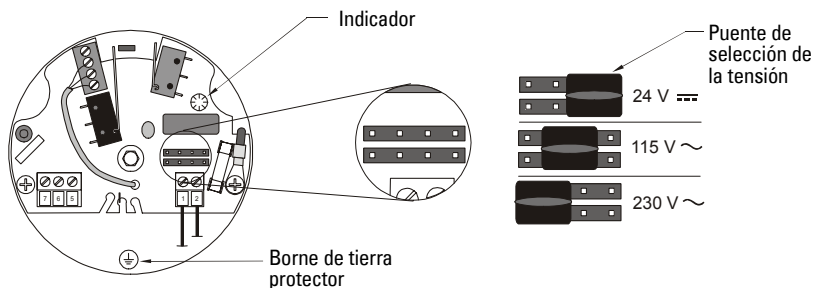
- La utilización del SITRANS LPS200 en zonas de peligro requiere la utilización de prensaestopas conformes a ATEX 100a (a prueba de explosión de polvo). El rango de temperatura mínima debe ser $-20 \dots +80^{\circ}\text{C}$ ($-4 \dots +176^{\circ}\text{F}$). Deberán satisfacerse los requisitos mínimos de protección (IP6x) definidos por la norma europea EN 60529. La utilización de los prensaestopas está sometida a las condiciones especiales definidas en la documentación de certificación de los prensaestopas.
- La instalación cumplirá con los requisitos de la norma europea EN 50281-1-2 en cuanto a depósitos de polvo y temperaturas.

Conexiones

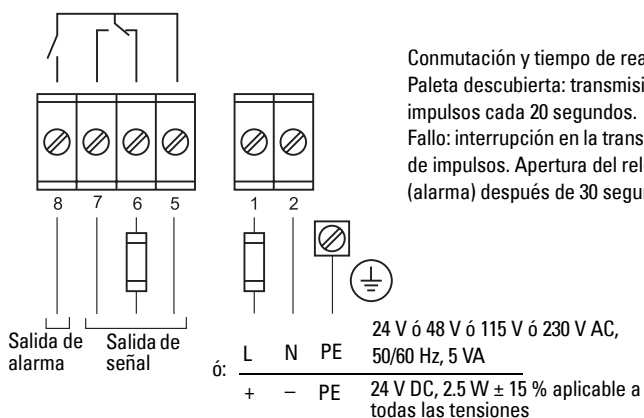
Tensión seleccionable por interruptor, relé SPDT



Seleccionar la tensión deseada colocando el puente en las clavijas (pins) como se ilustra a continuación.



Versión AC ó DC, relé SPDT, autoprotección

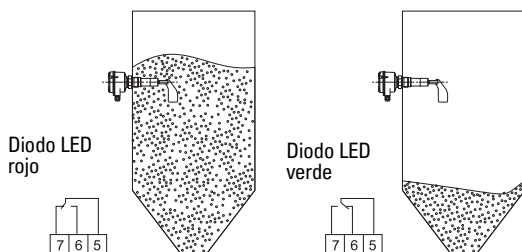


Conmutación y tiempo de reacción:
Paleta descubierta: transmisión de impulsos cada 20 segundos.
Fallo: interrupción en la transmisión de impulsos. Apertura del relé (alarma) después de 30 segundos.

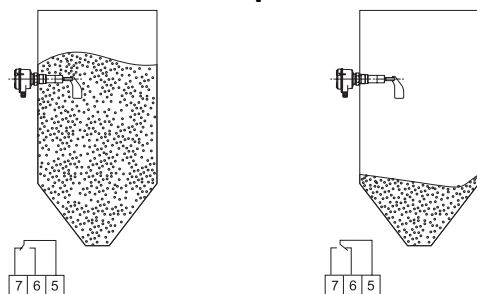
Consejos para la conexión

- Antes de abrir la tapa compruebe que no hay depósitos o incrustaciones de polvo a proximidad del SITRANS LPS200. Esperar que la atmósfera circundante se asiente.
- Proteger la salida de señal con un fusible (máximo 6 A).
- La tensión de suministro no deberá exceder la máxima tensión indicada en la etiqueta del producto y el ajuste del selector de tensión.
- Advertimos que si el dispositivo se manipula de manera inadecuada o incorrecta no se podrá garantizar su seguridad eléctrica.
- Al utilizar cargas inductivas es imprescindible proteger los contactos de relés para proteger el sistema de picos.

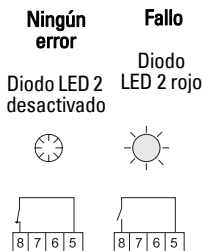
Lógica de conmutación (selección de la tensión por interruptor)



Lógica de conmutación (sin interruptor de selección)

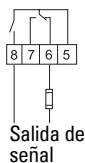


Salida de alarma -autoprotección opcional



Ejemplo de conexión

Detección de nivel lleno con autoprotección opcional. La señal de salida indica un fallo cuando el nivel alcanza el punto de conmutación alto, ó cuando se produce un fallo en la tensión de suministro o en el instrumento.



Mantenimiento

Al funcionar en condiciones normales el SITRANS LP200 no necesita mantenimiento o limpieza. En condiciones extremas, es recomendable la limpieza periódica de la paleta. Utilizar un cepillo apropiado para eliminar los depósitos de producto sin doblar la paleta.

Reparaciones y límite de responsabilidad

Sólo el personal cualificado está autorizado a intervenir en este equipo. Las modificaciones y reparaciones deberán efectuarse respetando los códigos de práctica aplicables. Nota importante:

- El usuario es el único responsable de las modificaciones y reparaciones efectuadas en el dispositivo.
- Recomendamos utilizar sólo recambios originales Siemens Miltronics Process Instruments Inc.
- Reparar sólo los componentes defectuosos.
- No reutilizar los componentes defectuosos.

Remarques concernant la sécurité

Une attention particulière doit être accordée aux avertissements et aux notes mis en évidence en gris.



AVERTISSEMENT : fait référence à une mention sur le produit. Signifie que la mort, des blessures corporelles graves et/ou des dommages matériels conséquents peuvent se produire si les dispositions de sécurité correspondantes ne sont pas respectées.



AVERTISSEMENT¹ : signifie que la mort, des blessures corporelles graves et/ou des dommages matériels conséquents peuvent se produire si les dispositions de sécurité correspondantes ne sont pas respectées.

PRECAUTION : signifie que des dommages matériels conséquents peuvent se produire si les dispositions de sécurité correspondantes ne sont pas respectées.

Note : information importante concernant le produit ou une section particulière de la notice d'utilisation.

1. Ce symbole est utilisé lorsque le produit ne comporte pas un marquage de sécurité.

Symboles de sécurité

Symbole (manuel)	Marquage sur le produit	Description
		(Etiquette jaune sur le produit). Précaution : pour plus de détails consulter le manuel d'utilisation fourni.
		Borne de mise à la terre
		Borne de raccordement conducteur de protection

Le manuel d'utilisation

Notes :

- Pour garantir la précision, la fiabilité et l'installation optimale de votre système SITRANS LPS200 il est impératif de respecter les instructions relatives à l'installation et au fonctionnement.
- Ce document s'applique exclusivement au système SITRANS LPS200.

Ce document vous permettra de paramétrer le SITRANS LPS200 pour obtenir des résultats optimaux. N'hésitez pas à nous faire part de vos commentaires et suggestions sur le contenu, la présentation et l'utilisation de ce manuel.

Veuillez transmettre tout commentaire à techpubs.smpi@siemens.com. Pour une liste exhaustive des manuels Siemens Milltronics disponibles, consulter www.siemens.com/processautomation.

Introduction SITRANS LPS200

Notes

- L'installation, la mise en service et la maintenance doivent être effectuées par un personnel qualifié.
- Le SITRANS LPS200 doit être utilisé suivant les instructions fournies dans ce manuel.
- Cet instrument est conçu pour une utilisation en milieu industriel. Utilisé en zone résidentielle, cet appareil peut provoquer des perturbations des communications radio.

Le SITRANS LPS200 est un détecteur de niveau à palette rotative pour solides en vrac. Il signale un niveau haut ou bas, un niveau spécifique ou l'absence de produit dans les silos, trémies ou cuves de stockage. Il détecte des produits très variés : céréales, alimentation, ciment, granulés plastique et copeaux de bois. La palette rotative s'adapte à des produits de densité variable, soit de 100 g/l (6,2 lb/ft³) pour la palette standard, 35 g/l (2,2 lb/ft³) pour la palette articulée (option) ou 15 g/l (0,9 lb/ft³) pour la palette rectangulaire (option).

Particularités du SITRANS LPS200

- Joint étanche très résistant
- Alimentation CA, cc ou sélectionnable par commutateur
- Mécanisme d'embrayage à friction pivotant. Lorsque le produit à détecter entre en contact avec la palette rotative, celle-ci est freinée dans sa rotation. Ce mécanisme unique protège les composants internes.
- Fonction sécurité-défaut optionnelle pour alarme en cas d'erreurs ou de défaillance de composants
- Boîtier orientable
- Palettes optionnelles pour produits solides à forte ou faible densité jusqu'à 15 g/l (0,9 lb/ft³)
- Disponible en version compacte avec rallonge (installation verticale uniquement), version avec rallonge coudée ou rallonge câble
- Versions spéciales pour haute pression / hautes températures
- Kit rallonge (option) pour la version compacte

Applications du SITRANS LPS200

- Céréales, alimentation, ciment, granulés plastique, copeaux de bois, riz, graines de soja, ...
- Produits solides de haute ou basse densité

Principe de fonctionnement

La palette rotative est activée par un moteur à engrenage basse révolution. Le produit à détecter entre en contact avec la palette rotative ; celle-ci est freinée dans sa rotation, ce qui émet un signal de sortie, provoquant la fermeture du contact et l'arrêt du moteur. Lorsque la palette est à nouveau libérée par l'entrée de produit la rotation reprend et le microinterrupteur est mis hors tension (état normal).

Le moteur asynchrone synchronisé est suspendu à l'intérieur du boîtier. Lorsque la palette rotative est freinée par le produit détecté, le couple permet d'activer le microinterrupteur pour produire un signal électrique et arrêter le moteur. Dès que la palette est à nouveau libérée par la descente de produit, le moteur et l'interrupteur retrouvent l'état de fonctionnement normal et le moteur est activé à nouveau.

L'utilisateur peut choisir parmi deux vitesses du moteur :

1 tpm pour les silos de stockage, ou

5 tpm pour les conditions de process moins stables

Caractéristiques techniques

Note : Siemens Milltronics vérifie ces informations pour garantir la conformité totale avec les caractéristiques du système, mais se réserve le droit d'apporter des modifications à tout moment.

Alimentation électrique

- 115 V CA, 50 ... 60 Hz, 4 VA
- 230 V CA, 50 Hz, 6 VA
- 24 ou 48 V CA
- 24 V cc, 2,5 W

± 15 % applicable à toutes les tensions (et ± 10 % suivant IEC 61010-1)

Performances

Temporisation (alarme)

- 1 version 1 tpm (applications de stockage) 1,3 s environ
- 5 version 5 tpm (conditions plus variables) 0,26 s environ

Sensibilité

- Réglable par force de rappel du ressort
- ou par géométrie de la palette rotative (en option) suivant la sensibilité requise

Densité minimale approximative du produit

Palette standard

- 100 g/l (6,2 lb/ft³) lorsque la palette est couverte par 10 cm (4") de produit
- 200 g/l (12,5 lb/ft³) lorsque la palette est couverte par plus de 10 cm (4") de produit

Palette articulée

- 35 g/l (2,2 lb/ft³) lorsque la palette est couverte par 10 cm (4") de produit
- 70 g/l (4,4 lb/ft³) lorsque la palette est couverte par plus de 10 cm (4") de produit

Palette rectangulaire (98 x 250 mm)

- 15 g/l (0,9 lb/ft³) lorsque la palette est couverte par 10 cm (4") de produit
- 20 g/l (1,2 lb/ft³) lorsque la palette est couverte par plus de 10 cm (4") de produit
- Pour plus de détails se reporter à "Palettes", page 9.

Sortie alarme

- Microinterrupteur, contact unipolaire bidirectionnel (SPDT) ou bipolaire bidirectionnel (DPDT), 5 A - 250 V CA, charge ohmique
- Microinterrupteur, contact unipolaire bidirectionnel (SPDT) ou bipolaire bidirectionnel (DPDT), 4 A - 30 V cc, charge ohmique

Construction

Raccords process

- Raccord fileté 1", 1¼", 1½" NPT ou 1", 1¼", 1½" BSP
Matériau : acier inoxydable 303 (1.4305)
Option : aluminium
- Raccord bride DN 32 PN 6, DN 100 PN 6, DN 100 PN 16, 2", 3", 4" ASME, 150 lb, B 16.5 (1.4541/321)

Boîtier

- Construction aluminium, revêtement époxy
- Entrée de câbles 2 x M20 x 1.5, ou 2 x ½" NPT
- Indice de protection Type 4/NEMA 4/IP65
- Construction de l'ensemble axe/palette acier inoxydable 304 et 303 (1.4301 et 1.4305)

Poids

Température standard :

- Version compacte 1,8 kg (4.0 lb)
- Version avec rallonge 2,2 kg (4.9 lb)
- Version avec rallonge coudée 4,0 kg (8.8 lb)
- Version avec rallonge câble 3,2 kg (7.1 lb)

Haute température :

- Version compacte 2,6 kg (5.7 lb)
- Version avec rallonge 3,0 kg (6.6 lb)
- Version avec rallonge coudée 5,2 kg (11.4 lb)
- Version avec rallonge câble 4,0 kg (8.8 lb)

Caractéristiques environnementales

- Montage en intérieur/extérieur
- Altitude max. 2000 m (6562 ft)
- Température ambiante -25 ... +60 °C (-13 ... +140 °F)
- Humidité relative 0 ... 100 %, utilisable en extérieur (indice de protection : Type 4 / NEMA 4 / IP65)
- Catégorie d'installation III
- Degré de pollution 2

Raccord

Température

Modèle standard :

- -25 ... +80 °C (-13 ... +176 °F)
- Code de température CSA : T5
- Température maximale à la surface du boîtier +120 °C (+248 °F) [ATEX]

Version haute température (option) :

- CE et Utilisation Générale -25 ... +350 °C (-13 ... +662 °F)
- FM/ATEX Zone dangereuse -25 ... +250 °C (-13 ... +482 °F)
- CSA Classe II Groupe E, F -25 ... +195 °C (-13 ... +383 °F), code de température CSA : T2D
- CSA Classe II Groupe G -25 ... +160 °C (-13 ... +320 °F), code de température CSA : T3B
- Température maximale à la surface du boîtier +220 °C (+428 °F) [ATEX]

Pression

- Version standard max. 0,8 bar, manométrique (11,6 psi, manométrique)
- Version haute pression (option) max. 5 bar, manométrique (72,5 psi, manométrique)
10 bar maximum, manométrique (145 psi, manométrique)

Note : La conception du détecteur peut tolérer une pression entre -0,2 et 0,1 bar en zone dangereuse.



AVERTISSEMENTS :

- **Conformément à la Directive 97 / 23/CE, ce produit est un accessoire sous pression et ne doit pas être utilisé en tant qu'instrument de sécurité.**
- **Ce système est conçu avec des matériaux choisis en fonction de leur compatibilité chimique, pour une exploitation générale. Se reporter aux tableaux de compatibilité avant toute utilisation dans un environnement spécifique.**

Homologations

- FM/cCSA Classe II, Div. 1, Groupe E, F, G, Classe III
- CSA_{us} Classe II, Div. 2, Classe III
- ATEX II 1/2 D (atmosphères poussiéreuses explosibles)
- CE
- C-TICK
- FM/CSA Utilisation Générale
(pour plus de détails sur les homologations se reporter à la plaque signalétique)

Installation

Montage

Notes :

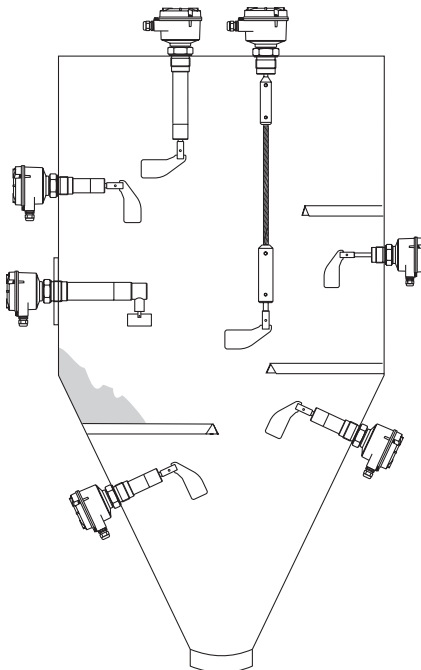
- L'installation doit être effectuée par un personnel qualifié et en accord avec les prescriptions applicables.
- Pour les applications avec des produits de densité importante, il est préférable d'installer la palette sur la partie supérieure du réservoir.
- La version compacte de SITRANS LPS200 est particulièrement adaptée au montage horizontal, pour la détection de niveaux bas ou intermédiaires.
- L'effort de traction maximal applicable à la version avec rallonge câble du SITRANS LPS200 est 4 kN (28 kN avec option renforcée).
- Les détecteurs LPS200 équipés d'un kit rallonge rigide doivent **impérativement** être installés verticalement sur la partie supérieure du silo.



AVERTISSEMENTS :

- **Conformément à la Directive 97/ 23/CE, ce détecteur et un accessoire sous pression et ne doit pas être utilisé en tant que dispositif de sécurité.**
- **Une mauvaise installation peut provoquer une chute de pression dans le process.**

Le SITRANS LPS200 peut être installé verticalement sur le haut du silo (détection du niveau haut) ou horizontalement (détection de niveau haut, bas ou spécifique). Le SITRANS LPS200 peut être installé avec un accouplement 1¼" NPT ou 1½" BSPT standard, en fonction du raccord process fileté choisi.



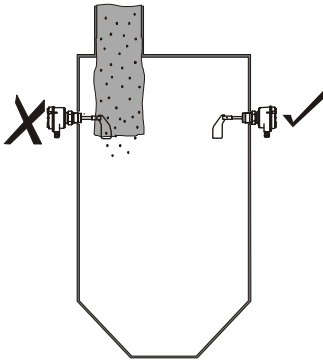
Après le montage, tourner le boîtier dans le sens horaire pour orienter l'entrée de câble vers le bas.

Notes :

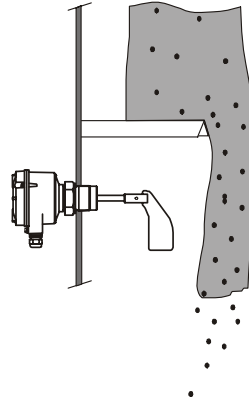
- Éviter l'installation de la palette rotative dans les zones d'accumulation de matériau.
- Protéger la sonde des chutes de matériau lorsque des charges importantes sont présentes dans l'application ou lorsque le détecteur est installé à proximité des chutes de produit.
- Pour éviter les infiltrations d'eau s'assurer que le presse-étoupe soit toujours dirigé vers le bas.

Préconisations process

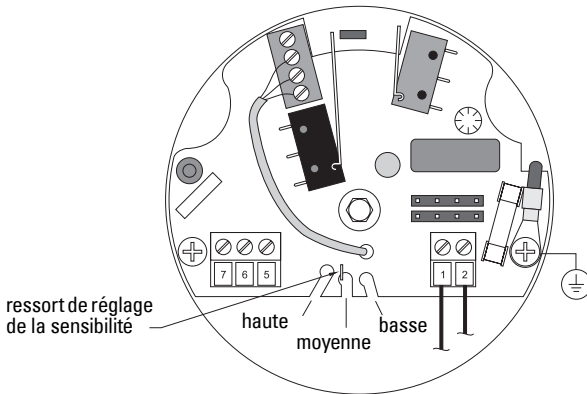
Précaution : Installer le SITRANS LPS200 loin des chutes de produit.



Précaution : Protéger l'axe et la palette des chutes de matériau.



Sensibilité

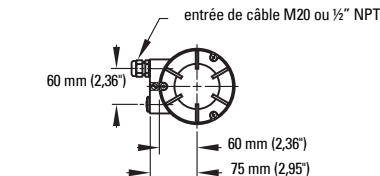


Version CA (relais SPDT) illustrée

Le ressort de réglage de la sensibilité du SITRANS LPS200 est pré-réglé en usine sur la position 'moyen'. L'élasticité peut être réglée avec une petite pince. Les palettes disponibles en option peuvent également améliorer la sensibilité.

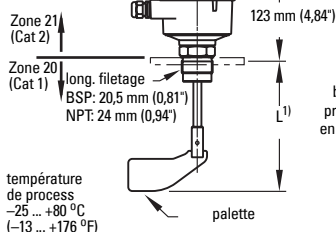
Dimensions et plages de température

Modèle standard : version compacte

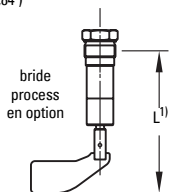


L = Longueur	
100 mm	3.94"
150 mm	5.91"
200 mm	7.87"
250 mm	9.84"
300 mm	11.81"

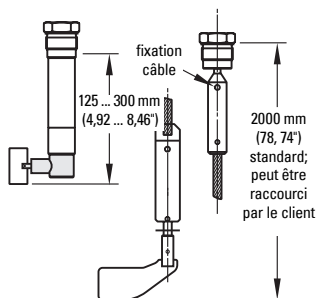
température ambiante :
-25 ... +60 °C
(-13 ... +140 °F)



Rallonge

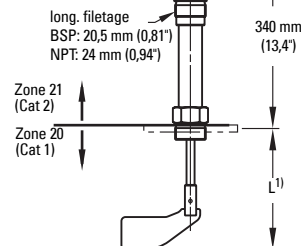


Rallonge coudée Option câble



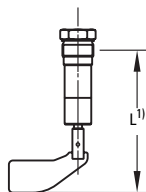
Version haute température : version compacte

température ambiante :
-25 ... +60 °C
(-13 ... +140 °F)

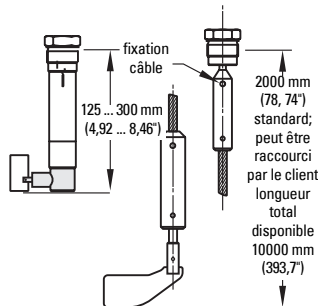


température de process²⁾
-25 ... +250 °C
(-13 ... +482 °F)

Rallonge



Rallonge coudée



Option câble

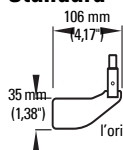
1) Pour les palettes de mesure en forme d'ailette 35 x 106 mm et les palettes articulées 65 x 210 mm, prévoir + 16 mm (0.63") par rapport à la longueur de rallonge.

2) Applicable à toutes les certifications à l'exception de CSA Classe II. Pour plus détails se reporter au manuel.

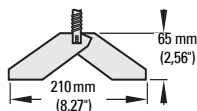
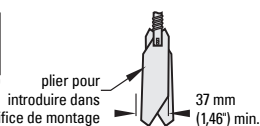
Notes:

- Si le produit contrôle est très compact, la palette doit être installé sur la partie supérieure du réservoir.
- La version compacte du LPS200 est particulièrement adaptée au montage latéral sur les silos, notamment pour la détection d'un niveau bas/intermédiaire.

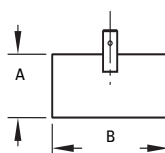
Palettes Standard



Articulée



Rectangulaire



Palette	Palette entièrement recouverte par le produit		Le produit recouvre la palette jusqu'à 10 cm (3,93")	
	Réglage ressort de rappel			
	Léger	Central (réglage usine)	Léger	Central (réglage usine)
aillette 35 x 106 mm	200 g/l (12,5 lb/ft ²)	300 g/l (18,7 lb/ft ²)	100 g/l (6,2 lb/ft ²)	150 g/l (9,4 lb/ft ²)
aillette 28 x 98 mm	300 g/l (18,7 lb/ft ²)	500 g/l (31,2 lb/ft ²)	150 g/l (9,4 lb/ft ²)	150 g/l (9,4 lb/ft ²)
rectangulaire 50 x 98 mm	300 g/l (18,7 lb/ft ²)	500 g/l (31,2 lb/ft ²)	150 g/l (9,4 lb/ft ²)	250 g/l (15,6 lb/ft ²)
rectangulaire 50 x 150 mm	80 g/l (5,0 lb/ft ²)	120 g/l (7,5 lb/ft ²)	40 g/l (2,5 lb/ft ²)	60 g/l (3,7 lb/ft ²)
rectangulaire 50 x 250 mm	30 g/l (1,9 lb/ft ²)	50 g/l (3,1 lb/ft ²)	15 g/l (0,9 lb/ft ²)	25 g/l (1,6 lb/ft ²)
rectangulaire 98 x 150 mm	30 g/l (1,9 lb/ft ²)	50 g/l (3,1 lb/ft ²)	15 g/l (0,9 lb/ft ²)	25 g/l (1,6 lb/ft ²)
rectangulaire 98 x 250 mm	20 g/l (1,2 lb/ft ²)	30 g/l (1,9 lb/ft ²)	15 g/l (0,9 lb/ft ²)	15 g/l (0,9 lb/ft ²)
articulée 65 x 210 mm	70 g/l (4,4 lb/ft ²)	100 g/l (6,2 lb/ft ²)	35 g/l (2,2 lb/ft ²)	50 g/l (3,1 lb/ft ²)
articulée 60 x 200 mm	70 g/l (4,4 lb/ft ²)	100 g/l (6,2 lb/ft ²)	35 g/l (2,2 lb/ft ²)	50 g/l (3,1 lb/ft ²)

Palettes rectangulaires en option	
A	B
50 mm (1.97")	98 mm (3.86")
50 mm (1.97")	150 mm (5.90")
50 mm (1.97")	250 mm (9.84")
98 mm (3.86")	150 mm (5.90")
98 mm (3.86")	250 mm (9.84")

Câblage



AVERTISSEMENTS :

- Couper l'alimentation électrique avant d'ouvrir le SITRANS LPS200.
- Pour la version sélection d'alimentation par commutateur, utiliser le cavalier manuel pour sélectionner la tension d'alimentation appropriée avant la mise sous tension du détecteur.

Notes :

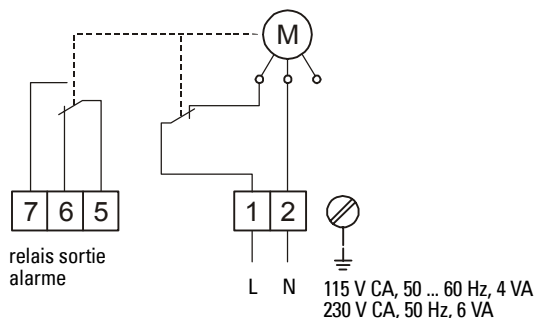
- Tous les câblages doivent être isolés pour 250 V CA minimum.
- Un disjoncteur facilement accessible, servant de commutateur de mise hors service doit se trouver à proximité de l'appareil.
- Utiliser un bouchon approprié pour fermer les entrées de câble non utilisées.
- Effectuer la mise en service du détecteur uniquement après avoir fermé le système.
- Respecter les normes et les prescriptions applicables localement.

Standards européens

- Lorsque le SITRANS LPS200 doit être installé en zone dangereuse, s'assurer que le presse étoupe et/ou les bouchons fournis par le client soient conformes à la norme ATEX 100a (atmosphère explosive/poussière). Respecter la plage de température min. applicable : -20 ... +80°C (-4 ... +176°F). Respecter l'indice de protection min. IP6x applicable suivant la norme européenne EN 60529. Respecter les consignes et les recommandations d'utilisation fournies dans la documentation associée au presse-étoupe.
- Respecter les recommandations stipulées dans la norme européenne EN 50281-1-2 concernant l'accumulation de poussière et la température.

Raccordement électrique

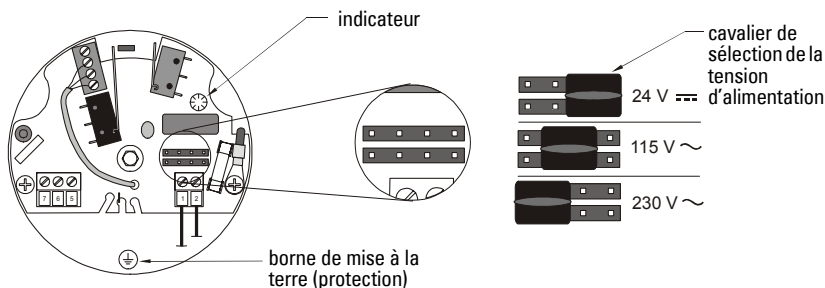
Tension réglable par commutateur, relais SPDT



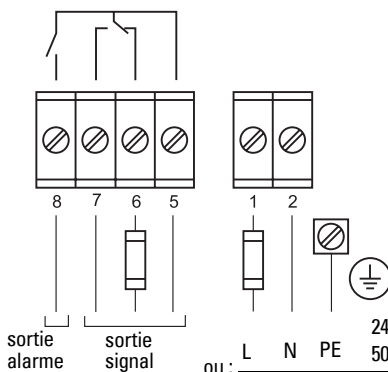
ou :

+	-	24 V cc, 2,5 W
± 15 % applicable à toutes les tensions		

Pour sélectionner la tension d'alimentation positionner le cavalier sur les broches tel qu'illustré ci-dessous.



Version AC ou cc, relais SPDT, sécurité-défaut



Comportement de commutation et de chronométrage :
Lorsque la palette n'est pas recouverte, la rotation de l'axe de la palette génère des impulsions à 20 secondes d'intervalle. En cas de défaut, aucune impulsion n'est transmise. Après 30 secondes, le relais d'alarme s'ouvre.

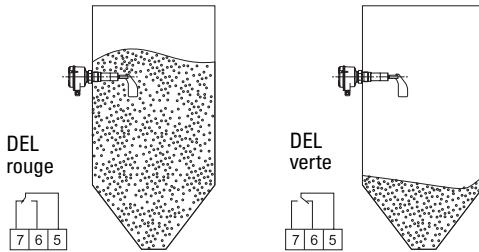
24 V ou 48 V ou 115 V ou 230 V CA, 50/60 Hz, 5 VA
ou :

+	-	24 V cc, 2,5 W
± 15 % applicable à toutes les tensions		

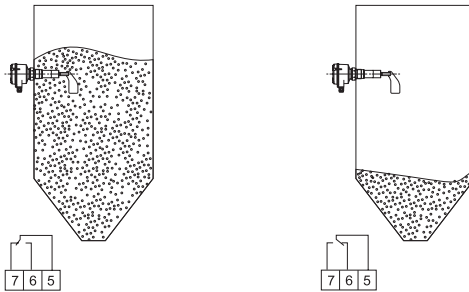
Remarques concernant les raccordements électriques

- Ouvrir le couvercle du SITRANS LPS200 seulement après avoir vérifié qu'il n'y a pas d'accumulation de poussière. Attendre que l'atmosphère environnante se soit stabilisée.
- Utiliser un fusible pour la sortie de signal (6 A max.).
- La tension principale ne devra pas dépasser ni la tension maximale indiquée sur la plaque signalétique du produit, ni la tension réglée avec le commutateur de tension.
- La manipulation du détecteur par un personnel non qualifié ou les erreurs de manipulation peuvent mettre en péril la sécurité électrique du dispositif.
- Lorsque des charges inductives sont utilisées, protéger le détecteur des pointes en garantissant la protection des contacts relais.

Logique de commutation (version avec commutateur de tension)



Logique de commutation (version sans commutateur de tension)



Sortie alarme - option sécurité-défaut

Pas d'erreur

DEL 2 off



Erreur

DEL 2 rouge



Exemple de connexion

Détection du niveau haut avec option sécurité-défaut. Le signal de sortie indique une erreur lorsque le niveau atteint un point de consigne haut, ou en cas de coupure de tension, de défaut de connexion ou de défaut de l'unité.



sortie signal

Maintenance

Utilisé en conditions de fonctionnement normales, le SITRANS LPS200 ne requiert pas de maintenance ou de nettoyage. En conditions de fonctionnement extrêmes il peut être nécessaire de nettoyer la palette régulièrement. Utiliser une brosse pour éliminer toute accumulation de produit. Veiller à ne pas plier la palette.

Réparation de l'unité et limite de responsabilité

Toute modification ou réparation doit être effectuée par un personnel qualifié. Respecter les consignes de sécurité. Remarques importantes :

- Toute modification ou réparation de l'instrument sera effectuée sous la responsabilité de l'utilisateur.
- Tous les composants doivent être fournis par Siemens Milltronics Process Instruments Inc.
- Réparer uniquement les composants défectueux.
- Les composants défectueux ne doivent pas être réutilisés.

Unit Repair and Excluded Liability

All changes and repairs must be done by qualified personnel, and applicable safety regulations must be followed. Please note the following:

- The user is responsible for all changes and repairs made to the device.
- All new components must be provided by Siemens Milltronics Process Instruments Inc.
- Restrict repair to faulty components only.
- Do not re-use faulty components

Gerätereparatur und Haftungsausschluss:

Alle Änderungen und Reparaturen müssen von qualifiziertem Personal unter Beachtung der jeweiligen Sicherheitsbestimmungen vorgenommen werden. Bitte beachten Sie:

- Der Benutzer ist für alle Änderungen und Reparaturen am Gerät verantwortlich.
- Alle neuen Bestandteile sind von Siemens Milltronics Process Instruments Inc. bereit zu stellen.
- Reparieren Sie lediglich defekte Bestandteile.
- Defekte Bestandteile dürfen nicht wiederverwendet werden.

Reparación del dispositivo y límite de responsabilidad:

Las modificaciones y reparaciones deberán ser efectuadas por personal calificado de acuerdo con las normas de seguridad aplicables. Notas importantes:

- El usuario es el único responsable de las modificaciones y reparaciones del dispositivo.
- Recomendamos utilizar sólo recambios originales Siemens Milltronics Process Instruments Inc.
- Reparar sólo los componentes defectuosos.
- Los componentes defectuosos no se deben reutilizar.

Réparation de l'unité et limite de responsabilité :

Les modifications et réparations doivent être effectuées par un personnel qualifié en accord avec les consignes de sécurité applicables. Remarques importantes :

- L'utilisateur est seul responsable des modifications et réparations effectuées sur l'unité.
- Utiliser seulement des composants fournis par Siemens Milltronics Process Instruments Inc.
- Réparer uniquement les composants défectueux.
- Les composants défectueux ne doivent pas être réutilisés.



www.siemens.com/processautomation

Siemens Milltronics Process Instruments Inc.
1954 Technology Drive, P.O. Box 4225
Peterborough, ON, Canada K9J 7B1
Tel: (705) 745-2431 Fax: (705) 741-0466
Email: techpubs.smpi@siemens.com

© Siemens Milltronics Process Instruments Inc. 2009
Subject to change without prior notice



7 M L 1 9 9 8 5 F S 6 2
Printed in Canada

Rev. 2.3