

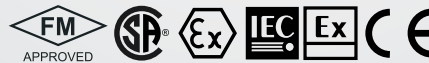
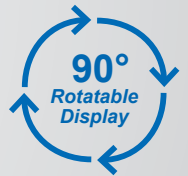
# PD8

ProtEX-MAX Explosion-Proof Instruments



**ProtEX™**  
MAX

**SAFE TOUCH®**  
Through-Glass  
Button Programming



VERSATILE

- Modern, Sleek and Practical Enclosure
- Display Mountable at 0°, 90°, 180°, & 270°
- Explosion-Proof, IP68, NEMA 4X Enclosure
- Models Available with PROVu®, Trident X2, or Vigilante® II Functionality
- SafeTouch® Through-Glass Button Programming
- Password Protection (Display models)
- Modbus® RS-485 Serial Communications (Select models)
- Flanges for Wall or Pipe Mounting
- Sunlight Readable Displays on All Models

PROCESS

DUAL-INPUT

FLOW RATE/TOTAL

BATCH CONTROL

TEMPERATURE

STRAIN GAUGE

PROCESS & TEMP

MODBUS INPUT

ANNUNCIATORS

**PRECISION  
DIGITAL**

[www.predig.com](http://www.predig.com)

PRECISION DIGITAL CORPORATION

# PD8 ProtEX-MAX Explosion-Proof Instruments

## OVERVIEW

The ProtEX-MAX Series has been designed to offer the functions and features of any ProVu®, Trident X2, or Vigilante® II model in a great looking fully approved explosion-proof product. The PD8 series is not just an 1/8 DIN meter mounted in an explosion-proof housing. A special bezel and electronics were designed exclusively for the ProtEX-MAX. The bezel and faceplate give the front panel a very finished appearance and house the additional electronics for the PD8. Program and operate the meter without opening the housing using the built-in SafeTouch® through-glass button programming or the serial communication port with free Modbus® protocol.

## KEY FEATURES

### Through-Glass SafeTouch® Buttons

The PD8 is equipped with up to 4 sensors that operate as through-glass buttons so that it can be programmed and operated without removing the cover (and exposing the electronics) in a hazardous area. These buttons can be disabled for security by selecting the LOCK setting on the switch located on the connector board in the base of the enclosure. To actuate a button, press one finger to the glass directly over the marked button area. When the cover is removed, mechanical buttons located on the faceplate are used.



### Modern, Sleek and Practical Enclosure

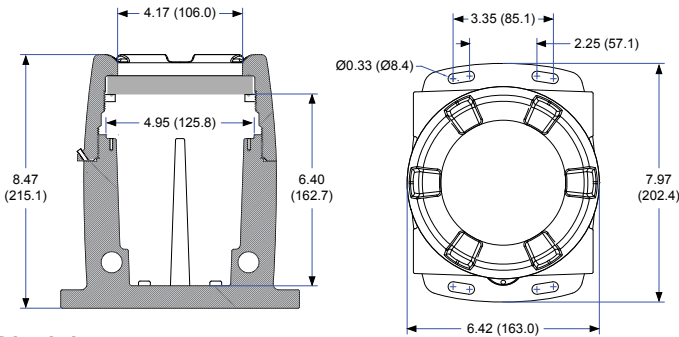
The first thing customers notice about a product is its enclosure and the ProtEX-MAX really shines here. The copper-free (0.30%), smooth, die-cast aluminum NEMA 4X (IP68) enclosure is finished with a corrosion resistant epoxy coating that literally does make the ProtEX-MAX shine. The built-in mounting flanges make for convenient wall or pipe mounting and there is even a slot on the back of the enclosure for centering on the pipe. There are four 3/4" NPT conduit holes for wiring (two metal conduit plugs supplied).

### Serial Communications

Modbus and RS-485 are standard with all ProtEX-MAX models except the PD8-154 and PD8-158. Refer to PD8 manual addendum for details.

## DIMENSIONS

Units: Inch (mm)



### Disclaimer

The information contained in this document is subject to change without notice. Precision Digital Corporation makes no representations or warranties with respect to the contents hereof, and specifically disclaims any implied warranties of merchantability or fitness for a particular purpose. ©2011-2014 Precision Digital Corporation. All rights reserved.

## INSTRUMENT SPECIFICATIONS

Refer to the data sheets for the meter/controller integral to the PD8.  
**Weight:** approx. 16.0 lbs (256 oz, 7.26 kg)

### Product Ratings & Approvals

**FM Approved:** Enclosure: Type 4X; IP66  
Class I, Division 1, Groups B, C, D; Class II, Division 1, Groups E, F, G;  
Class III, Division 1, T5/T6; Class I, Zone 1, AEx d, IIC Gb T5/T6; Zone 21, AEx tb IIC T90°C; Ta -40°C to +65°C  
T6 Ta = -40°C to +60°C; T5 Ta = -40°C to +65°C  
Certificate Number: 3047283

**CSA Certified:** Class I, Division 1, Groups B, C, D; Class II, Division 1, Groups E, F, G; Class III, Division 1:

Class 1 Zone 1 Ex d IIC; Zone 21 Ex tb IIC T90°C:

-40°C < Tamb. < +60°C; Temperature Code T6

-40°C < Tamb. < +65°C; Temperature Code T5

Enclosure Type 4X & IP66

Certificate Number: 2531731

**ATEX Certified:** II 2 G D, Ex d IIC T\* Gb, Ex tb IIC T90°C Db IP68.

Ta = -40 to +\*°C. \*T6 = -40 to +60°C, \*T5 = -40 to +65°C

Certificate Number: Sira 12ATEX1182

**IECEx Certified:** Ex d IIC T\* Gb, Ex tb IIC T90°C Db IP68.

Ta = -40 to +\*°C. \*T6 = -40 to +60°C, \*T5 = -40 to +65°

Certificate Number: IECEx SIR 12.0073

## ORDERING INFORMATION

ProtEX-MAX PD8 • Explosion-Proof Instruments	
Base Model	Description
PD8-154	4-Point Alarm Annunciator
PD8-158	8-Point Alarm Annunciator
PD8-765	Process & Temperature Meter (Trident X2 model only)
PD8-6000	Process Meter
PD8-6060	Dual-Input Process Meter
PD8-6080	Modbus Serial Input Scanner
PD8-6081	Feet & Inches Modbus Serial Input Scanner
PD8-6100	Strain Gauge Meter
PD8-6200	Analog Input Rate/Totalizer
PD8-6210	Analog Input Batch Controller
PD8-6262	Dual Analog Input Rate/Totalizer
PD8-6300	Pulse Input Rate/Totalizer
PD8-6310	Pulse Input Batch Controller
PD8-6362	Dual Pulse Input Rate/Totalizer
PD8-7000	Temperature Meter

- Any Vigilante® II Annunciator Model PD8-158-6R2-1
- Any ProVu® SunBright Meter Model PD8-6000-6H2
- Any Trident X2 Meter Model PD8-765-6X2-10

**Your Local Distributor is:**

LDS8\_E 04/14