

EDC200 Series Temperature Controller

EDC200 Series temperature controllers are microprocessor-based 1/16 DIN, 1/8 DIN and 1/4 DIN controllers, which provide comprehensive functions and high reliability to monitor and control temperature in various applications. EDC200 Series Support ON/OFF control, Three Position Step Control, and PID algorithm based Time Proportional control with advanced Auto Tuning function provided for PID Parameters optimization.

Specification

Rated Voltage	100 ~ 240V AC, 50/60 Hz or 24V DC
Limit Voltage	85 ~ 264V AC, 47~63 Hz or 19.2 ~ 28.8V DC
Input	TC/RTD, Refer to "Key Parameter Table" for detail
Control Out	SSR drive voltage 24V DC/20mA; N.O. Dry contact / 5A @ 30V DC or 250V AC
Alarm Out	N.O. Dry contact / 5A @ 30V DC or 250V AC
Operative Temperature	0 ~ 55°C
Storage Temperature	-40 ~ 66°C
IP Rate	Front Panel: IP54
Safety	IEC/EN61010-1 CAN/CSA-C22.2 No. 61010-1-12 3rd Edition ANSI/UL 61010-1 3rd Edition

Model Selection

- Select the desired Key Number. The arrow to the right marks the selection available.
- Make the desired selections from Table I to Table II. A dot "." denotes availability.

Key Number						Table I			Table II		
E	D	C	2	0	-	-	-	-	-	-	-

Key Number

Description	Selection	Availability
Size		
48 x 48 mm (1/16 DIN), 1x AI, 1x ALM, 1x DI	EDC201	↓
48 x 96 mm (1/8 DIN), 1x AI, 2x ALM, 1x DI	EDC202	↓
96 x 96 (1/4 DIN), 1x AI, 2x ALM, 1x DI	EDC203	↓

Table I

Power	Output	Future
100-240V AC Power	Relay, Dry Contact / N.O., 5A @ 30V DC or 250V AC	
19-28V DC Power	SSR Drive, 24V DC @ 20 mA	

Table II

Future	Future

Technical Assistance Contacts

Support and Contact Information

For Europe, Asia Pacific, North and South America contact details, see back page or refer to the appropriate Honeywell Solution Support web site:

Honeywell Corporate www.honeywellprocess.com

Honeywell Process Solutions <http://www.honeywellprocess.com/en-US/explore/products/instrumentation/panel-mounted-controllers-and-programmers>

Training Classes <http://www.honeywellprocess.com/en-US/training>

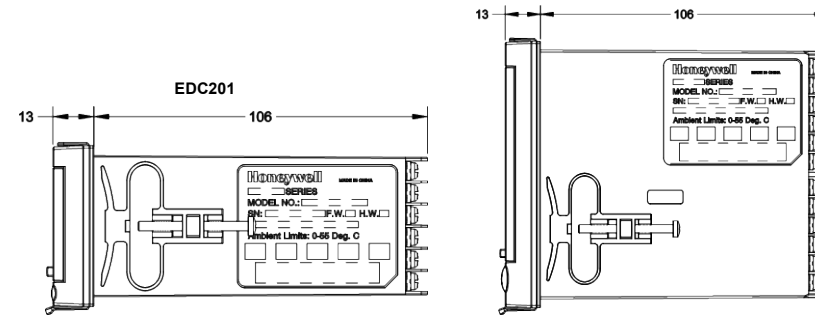
Telephone and Email Contacts

Area	Organization	Phone Number
United States and Canada	Honeywell Inc.	1-800-343-0228 Customer Service 1-800-423-9883 Global Technical Support
Global Email Support	Honeywell Process Solutions	hfs-tac-support@honeywell.com

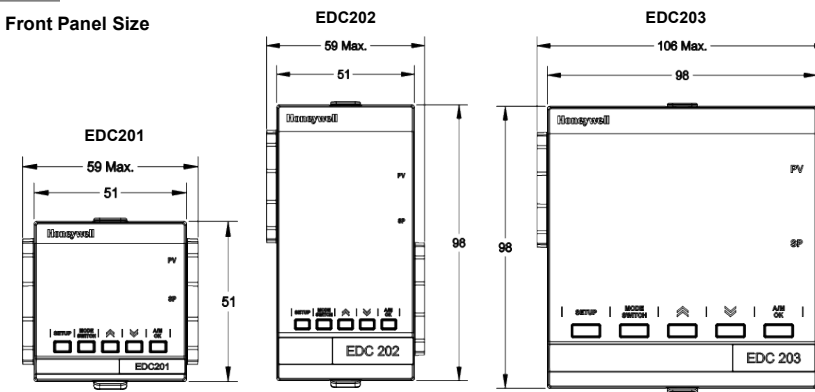
External Size & Installation

Before mounting the controller, refer to the nameplate on the outside of the case and make a note of the model number.

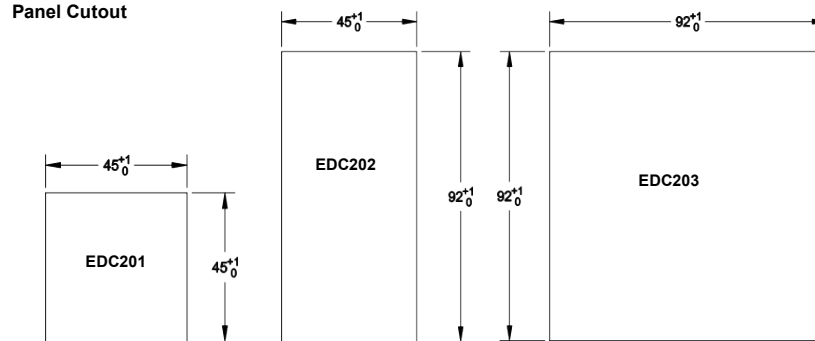
Depth



Front Panel Size



Panel Cutout



Display & Operation

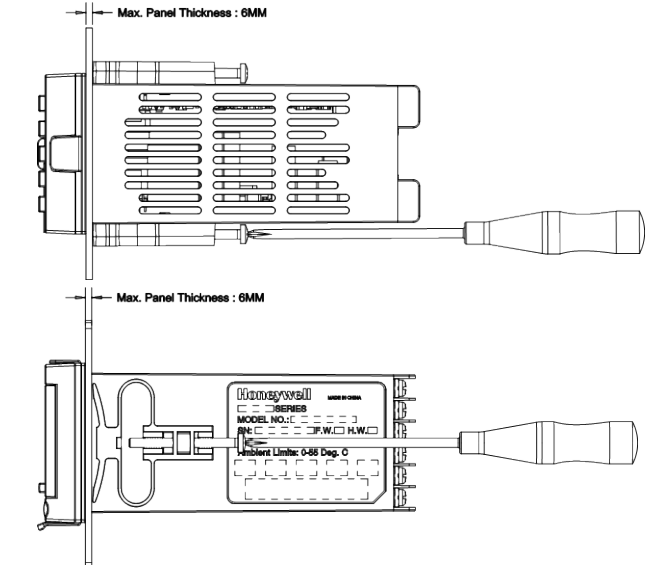


Area	Display/Button	Normal Operating Mode	Parameter Configuration Mode
1	Menu Navigation	Not display	Current parameter group
2	Temp Unit	Display the unit of current temperature in use	
3	Status Display	Indicate the status of Alarm, control output, control mode and Auto-tuning	
4	Lower Display	Display the value of SP, output and the information of Timer, alarm and auto-tuning	Display the current option or value of the parameter
5	Upper Display	Display the value of process variable	Display the parameter selected
A	SETUP	Press and hold for 3s - Enter into Parameter Configuration Mode	Short press - Switch the Parameter group Press and Hold - Cycle through Parameter Groups
B	MODE SWITCH	Short press - Switch lower display	Short press - Switch parameter; Press and Hold - Cycle through parameters
C	⏏	Increase the value or change the options of selected parameter	
D	⏏	Decrease the value or change the options of selected parameter	
E	A/M OK	Switch control mode when "SP" or "Out" is shown on the lower display; Acknowledge alarm or initiate functions when the information shown on the lower display is other than "SP" and "Out".	Acknowledge actions

Installation Procedure

- Orient the controller properly and slide it through the panel hole.
- Insert the mounting clamps into the two holes on the left and right side of the case and pull them backwards to hook them up into the case.
- Tighten screws in the mounting clamp to secure the mounting clamp against the panel.

CAUTION: Over tightening may cause damage to the mounting clamp. Less tightening may cause poor sealing performance.



Terminal Wiring Diagram

Confirm the model type you selected first, Then wiring refer to below terminal definition.

