

The Senaco CU 02 Control Unit operates with a Senaco Acoustic Sensor to provide reliable continuous protection for bulk solids flow. The CU 02 receives a 0-10 Vdc input signal from the Senaco sensor, providing relay and analog outputs for interface into a process.

The system can be readily configured for set points indicating such conditions as high flow, low flow or no flow. Alternatively, it can be added to a control loop via a 4-20mA isolated output for trend monitoring proportional to the signal from the sensor.

Two relays are fully programmable and independent of each other, and can be used to operate an alarm or control device. Alarming may be provided above or below a setpoint, or within a band. Readings are also displayed locally by the CU 02 on its LCD.

The CU 02 may be mounted up to 500m (1500 ft) from the sensor.



Product Features

- 4-20 mA output
- Two programmable relays
- Adjustable independent time delay for each relay
- Adjustable start-up time delay
- DIN rail mounting provides easy installation
- Built-in password protection to parameters

Technical Specifications

Power

- supply: 100, 115, 200, 230 Vac \pm 15% 50/60 Hz, factory set
- maximum power consumption: 10VA

Environmental

- location: indoor
- altitude: 2000 m max.
- ambient temperature: -20 to 50°C (-4 to 122°F)
- relative humidity: 80% for temperatures up to 50 °C
- installation category: II
- pollution degree: 2
- 750 Ω load max

Enclosure

- polycarbonate – IP 20. 6 mm W x 75 mm H x 110 mm D (2.2" W x 3" H x 4.4" D)

Mounting

- DIN Rail (DIN 46277 or DIN EN50022), or wall mount, up to 500 m (1,500 ft.) from sensor.

Operation

- operating temperature: -20 to 50°C (-4 to 122°F) – ambient
- sensor excitation: 26 V dc, from sensor
- input:
 - 0 to 10 Vdc, from sensor
- outputs:
 - 4 to 20 mA isolated output, 750 Ω max.
 - 2 form "C" relays – latching or non-latching – 5 amp at 250 Vac non-inductive
 - LCD display – liquid crystal, three digits, 9 mm (0.35") high and multisegment graphic symbols for operation status

Cable

- 3 twisted pair, 24 AWG, shielded. Mount up to 500 m (1,500 ft.) from sensor.

Weight

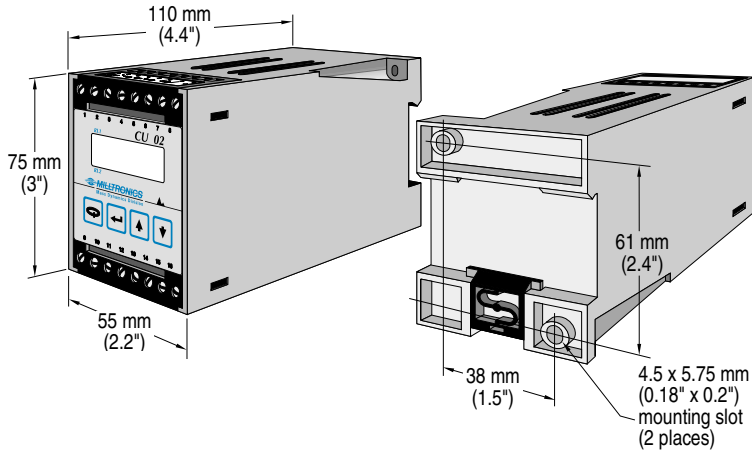
- 550 g (18 oz.)

Approvals

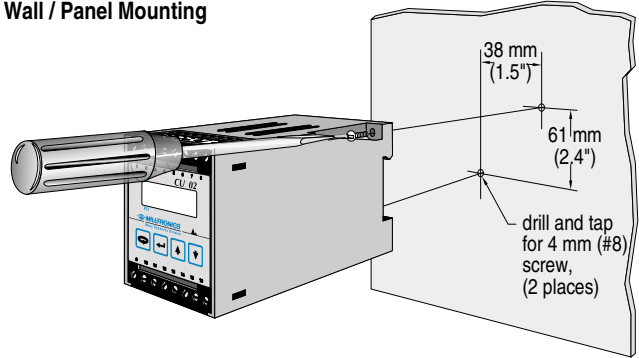
- CSA_{NRTL/C} CE

Senaco Control Unit CU 02

Dimensions

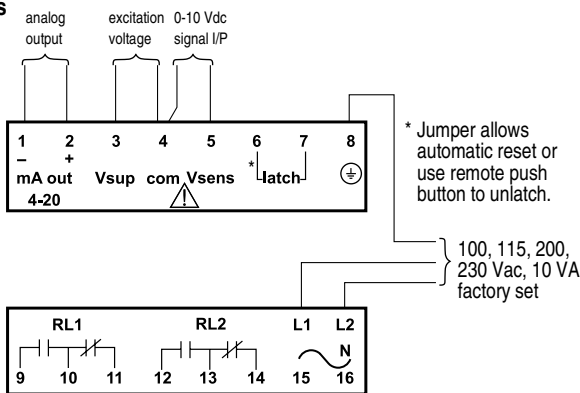


Wall / Panel Mounting



Wiring

Connections



Mounting

Installation shall only be performed by qualified personnel and in accordance with local governing regulations.

This product is susceptible to electrostatic shock. Follow proper grounding procedures.

Interconnection

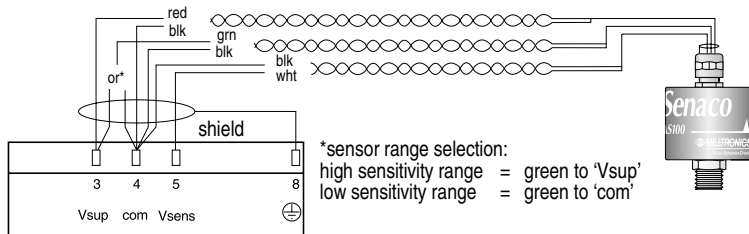
All field wiring must have insulation suitable for at least 250 V.

Relay contact terminals are for use with equipment having no accessible live parts and wiring having insulation suitable for at least 250 V.

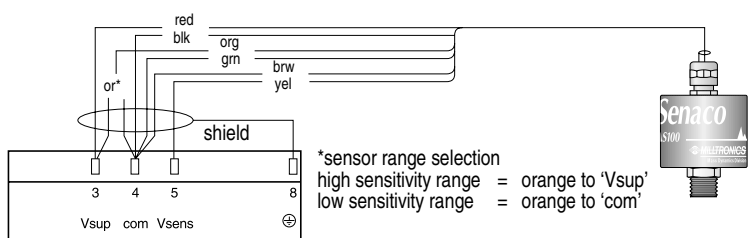
The maximum allowable working voltage between adjacent relay contacts shall be 250 V.

If sensor case is grounded, do not connect shield of cable to CU 02 ground terminal.

Standard Temperature Version



Extended Temperature Version



Wiring for Senaco Plus sensor available upon request



Australia	Tel.: +61 3-9695-2400	Fax: +61 3-9695-2450
Belgium	Tel.: +32(0)3326 45 54	Fax: +32(0)3326 05 25
Canada	Tel.: +1 705-745-2431	Fax: +1 705-741-0466
France	Tel.: +33 4 42 65 69 00	Fax: +33 4 42 58 63 95
Germany	Tel.: +49 721 595 4607	Fax: +49 721 595 4937
Hong Kong	Tel.: +85 2-2856-3166	Fax: +85 2-2856-2962
Mexico	Tel.: +52 5 575-27-28	Fax: +52 5 575-26-86
The Netherlands	Tel.: +31(0)76 542 7 542	Fax: +31(0)76 542 8 542
Switzerland	Tel.: +41 21 791 58 28	Fax: +41 21 791 58 40
United Kingdom	Tel.: +44 1905-450500	Fax: +44 1905-450501
United States	Tel.: +1 817-277-3543	Fax: +1 817-277-3894

www.milltronics.com