

10260A Idler Gear kit Replacement Instructions 51205552-501 through 503

Document Number

Form: 62-86-33-12

Effective: 5-27-99

Supersedes: None

Summary

These kits contain a new idler gear for your 10260A actuator. Kits –501 and –502 contain two gears.

Procedure

See Table 1 for procedure.

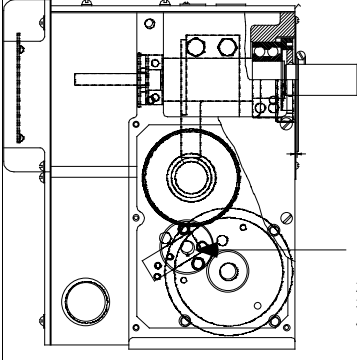
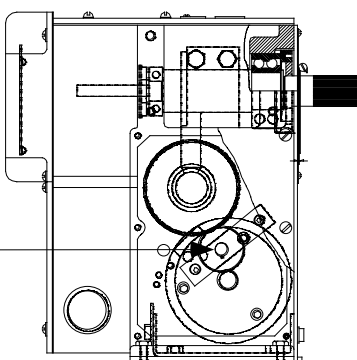
WARNING

Disconnect power before accessing components inside the instrument.

ATTENTION

When working with circuit cards always protect against electrostatic discharge by wearing a grounded wrist strap.

Table 1 10260A Idler Gear Installation Procedure

Step	Action
1	Remove left side cover.
2	<p>Replace idler gear:</p> <ul style="list-style-type: none"> • Remove retaining ring with retaining ring pliers. • Slide gear off shaft. • Install new gear and attach new retaining ring. • Apply grease to teeth of gear. Use excess grease from other gears or use Starplex 2 grease. <div style="display: flex; justify-content: space-around; align-items: flex-start; margin-top: 20px;"> <div style="text-align: center;"> <p>10261, 10262, 10264, 10266-10269</p>  </div> <div style="text-align: center;"> <p>10263 & 10265</p>  </div> <div style="margin-left: 20px;"> <ol style="list-style-type: none"> 1. Remove retaining ring from center of gear. 2. Remove gear. 3. Install new gear. 4. Attach new retaining ring. </div> </div> <p style="text-align: center; margin-top: 10px;">Figure 1 Replacing idler gear</p>
3	Install new gasket and reattach cover.