

## 10260A series Output Card kit Replacement Instructions 51404885-501 through 503

### Document Number

Form: 62-86-33-07

Effective: 5-27-99

Supersedes: None

### Summary

This kit contains a new output card for your 10260A actuator.

### Procedure

See Table 1 for procedure.

### **WARNING**

Disconnect power before accessing components inside the instrument.

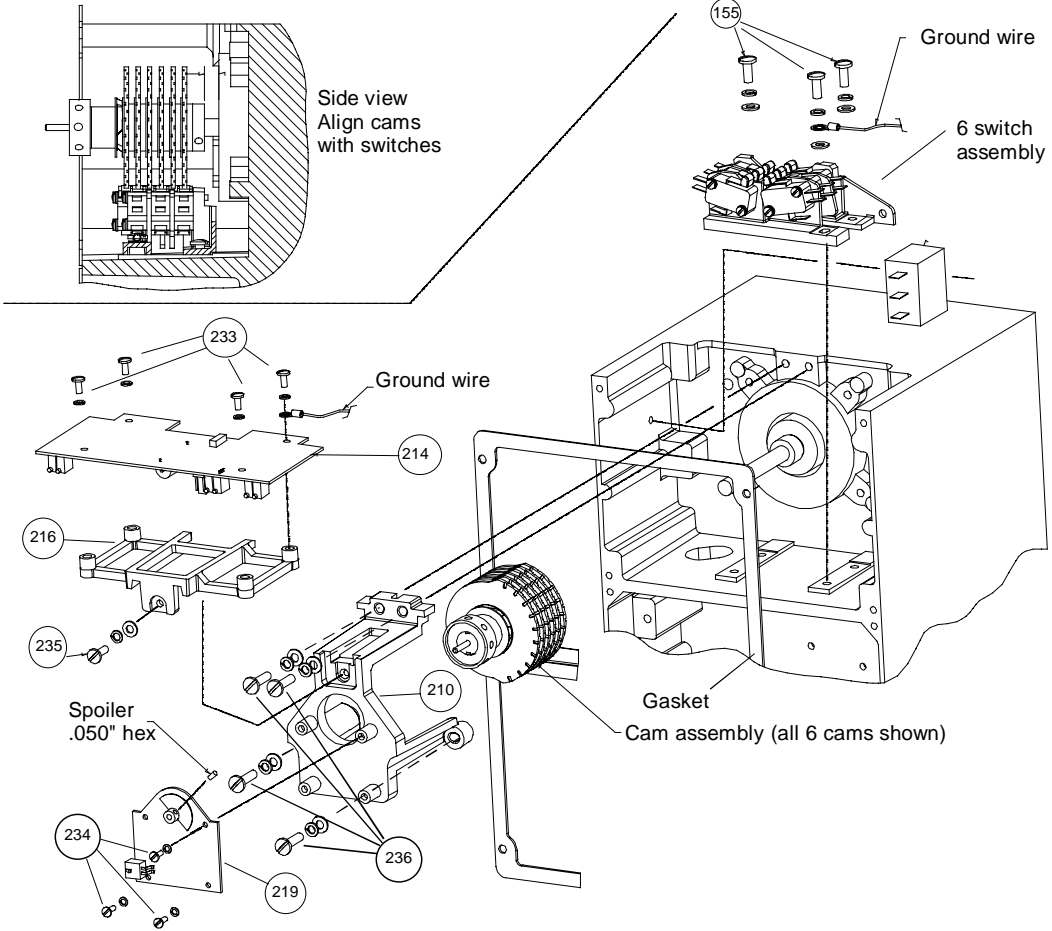
---

### **ATTENTION**

When working with circuit cards always protect against electrostatic discharge by wearing a grounded wrist strap.

---

**Table 1 10260A Output Card Replacement Procedure**

Step	Action
1	<p><b>Remove top rear cover.</b></p>
2	<p><b>Remove existing output card:</b></p> <ul style="list-style-type: none"> <li>• Remove screw (Figure 1, item 235) and remove output card and frame.</li> <li>• Output card (Figure 1, item 214) is attached above cams. Remove 4 screws (item 233) securing card to plastic frame.</li> <li>• There are up to 8 wire connectors on the card. Using tape and pen, identify and mark each wire connector with its corresponding junction number (J1 through J7, ground). The junction number is printed on the circuit card at each connection.</li> <li>• Disconnect all wires and remove card.</li> </ul>  <p style="text-align: center;">Figure 1 Exploded View</p>
3	<p><b>Install new output card:</b></p> <ul style="list-style-type: none"> <li>• Mount new card to plastic frame (item 216) with 4 screws.</li> <li>• Attach wire connectors to new output card as on original card. Remove tape markers from wires.</li> <li>• Reattach board and frame with screw (item 235).</li> </ul>

---

**Table 1 10260A Output Card Replacement Procedure**

<b>Step</b>	<b>Action</b>
4	<b>Calibrate output board:</b> See document 62-86-25-06, 10260A Series Actuators with Non-Contact Position Sensing Installation, Operation and Maintenance Manual. Refer to calibration section.
5	<b>Install new gasket and reattach cover.</b>