

10260A Herculine® Series Actuator

Non-Contact Position Sensing!

Specification

Overview

To operate with maximum efficiency and improve process uptime, state-of-the-art control systems require accurate, responsive, and repeatable actuation of final control devices. Actuators are often overlooked when considering maintenance and ancillary support costs, yet they play an important role in system performance and can directly impact your company's bottom line.

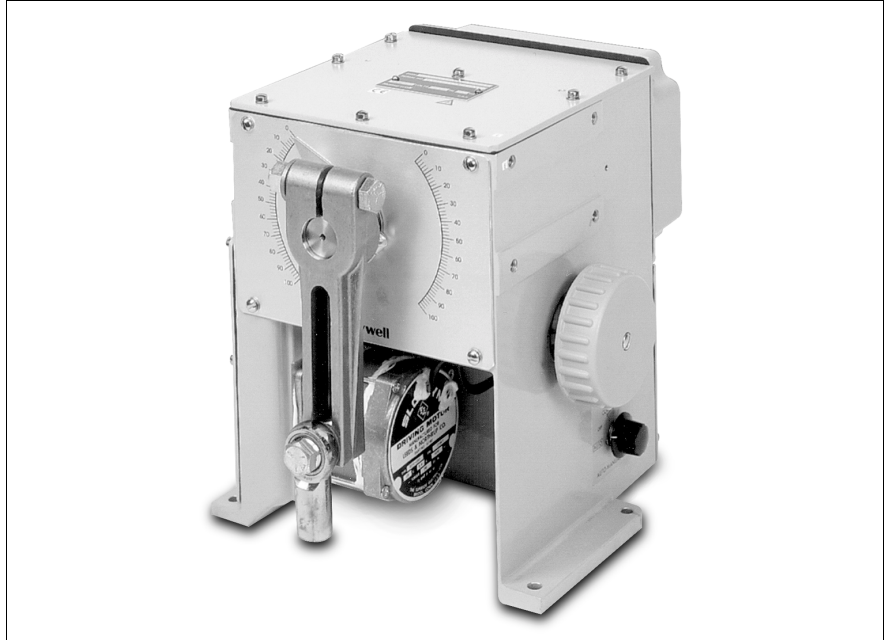
Honeywell's 10260A medium torque industrially rated rotary actuator is engineered for exceptional reliability, accurate positioning, and low maintenance. Designed for very precise positioning of dampers and quarter turn valves, the 10260A performs especially well in extremely demanding environments requiring continuous-duty, high reliability, and low maintenance. Typical applications include furnace pressure dampers, fuel/air ratio valves, windbox dampers, coal mill dampers, scoop tubes, and Fluid Gyrols.

Actuator Operation

Spur gears and a single reduction worm/worm gear combine with a synchronous induction AC motor for accurate and repeatable positioning of final control elements.

The worm/worm gear combination also functions as a brake, capable of holding greater than two times the output torque in a back-driving condition.

Control options are available to interface with a modulating 4-20 mA input signal or position proportional (3 wire/PAT) and 4-20 mA customer feedback. Internal balance, customer feedback, and patented slidewire emulation is provided by a non-contacting position sensor.



Features

- **Accurate Positioning**
Motor/gear train provides accurate positioning with instantaneous start/stop characteristics
- **Enclosure**
Rugged, industrial grade enclosure
- **Non-Contact Position Sensing**
Non-contacting sensing lowers maintenance costs and improves performance.
- **Low Maintenance**
Simple-proven design means high reliability/low maintenance.
- **Duty Cycle**
100 % duty cycle motor.
- **Torque**
High torque capability in small package (10 to 300 lb-ft of torque)
- **Control Signals**
4-20 mA, 1-5 Vdc, Position proportional (PAT), Open/close (contact closure)
- **Output Signals**
0/4-20 mA, 0/1-5 Vdc (0-16 Vdc), and slidewire emulation.
- **Power Requirements**
Low power consumption 120/240 Vac, 50/60 Hz, single phase ≤ 1 amp.
- **Full Travel Speed**
Full stroke travel speeds from 10 to 60 seconds (90 degree travel, 60 Hz supply)
- **Manual Operation**
All 10260A series actuators are supplied with a manual handwheel to operate the actuator when power is not available.
- **Auto-Manual** electric handswitch with auxiliary contacts indicating an "Out-of-Auto" position is available for local electric control.
- **Output Shaft Hardware**
All 10260A series actuators are supplied with an adjustable radius and adjustable position crank arm. Optional 12" crank arm, linkage kits, and direct coupling hardware are available.

Features (continued)

- **Limit Switches**
All 10260A series actuators are supplied with two end of travel electric limit switches. Up to 4 additional SPDT auxiliary switches are available.
- **Warranty**
Exceptional warranty – 24 months from shipment
- **Certification**
CSA, UL and CE available

Non-Contact Position Sensing

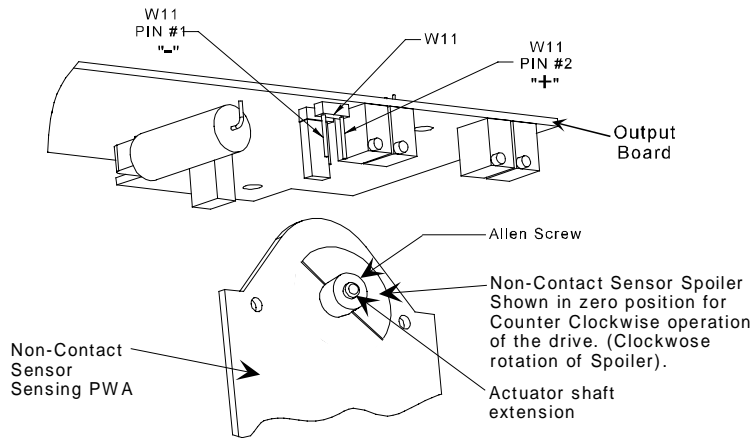
The Honeywell 10260A series actuators implement a variable inductance, non-contact position sensor mounted directly to the actuator output shaft providing precision position sensing from 0 to 90 degrees. This technology eliminates maintenance items such as wipers, bearings, as well as static friction, hysteresis and electrical noise over a wide range of demanding environmental conditions.

Slidewire Emulation

Honeywell Slidewire Emulation provides backward compatibility for three-wire position proportional control schemes while eliminating maintenance and control problems associated with slidewire wear.

The Slidewire Emulation Circuit (SEC) emulates the proportional voltage output of a typical slidewire through a high impedance circuit. The voltage output is proportional to the supply voltage and shaft position. A non-contact position sensor is used to determine shaft position in place of the slidewire.

This high impedance slidewire emulation circuit accepts supply voltages up to 20 Vdc and emulates voltage outputs typical of slidewires up to 1000 ohms.



NCS Assembly

Specification – General

Physical					
Weight	40 lb. (18 kg) net				
Enclosure	Precision machined Aluminum alloy casting, finished in light gray powder coat epoxy.				
Gear train	Alloy steel, high efficiency steel spur gear primary train with safety fused idler gear. Precision ground, self locking/self releasing worm gear final mesh.				
Mechanical stops	To prevent over-travel				
Operating Temperature	-30 °C to +85 °C (-20 °F to +185 °F)				
Storage Temperature	-40 °C to +93 °C (-40 °C to +200 °F)				
Relative Humidity	Fully operable over the range of 0-99 % R.H. noncondensing				
Scale	0 % to 100 % corresponding to full crank arm travel.				
Crank Arm	Adjustable radii (1-7/16" to a maximum of 5"). Position adjustable through 360° rotation. Optional 12" crank arm adjustable 0-12" radii.				
Output Shaft	1" diameter, 1-1/2" long is standard on 10261A, 10262A, 10264A, 10266A, 10267A, 10268A. 1" diameter, 2" long is standard on 10263A, 10265A and 10269A optional on other models.				
Rotation	90° degrees between 0 % and 100 % on scale, limited by mechanical stops.				
Direction of Rotation	Field selectable via switch and jumper. Default = CCW (determined looking into the shaft)				
Manual Handwheel	Provides a means of positioning the actuator in the event of a power failure or set-up.				
Lubrication	Texaco Starplex 2 EP Grease				
Fuses	<i>Busmann GDB1.6:</i> 1.6 Amp Fast <i>Littlefuse 312001:</i> 1.0 Amp Fast				
Output Torque/Full Travel Stroking Time	Model #	Torque Lb-ft	N-M	Output Shaft Speed sec/90°	
				@60Hz	@50Hz
	10261A	10	15	10	12
	10262A	20	27	20	24
	10264A	40	55	40	48
	10266A	60	80	60	72
	10267A	40	55	20	24
	10268A	80	110	40	48
	10269A	150	200	60	72
	10263A	200	270	40	48
	10265A	300	400	60	72
Electrical					
Power Input	120 Vac single phase, 50 or 60 Hz 240 Vac single phase, 50 or 60 Hz				
Motor	Instant start/stop, non-coasting, non-burnout, continuous duty permanent magnet synchronous induction motor. Can be stalled up to 100 hours without damage.				
Motor Current	= No load = full load = locked rotor				
	Model No.	120 V, 50/60 Hz		240 V, 50/60 Hz	
	10261A, 62A, 64A, 66A	0.4 A (48 VA)		0.3 A (24 VA)	
	10263A, 10265A	1.0 A (120 VA)		1.0 A (60 VA)	
	10267A, 68A, 69A	0.8 A (96 VA)		0.3 A (36 VA)	
Loss of Power	Stays in place				
Local Auto/Manual Switch	Optional – allows local and automatic operation of the actuator.				
Limit Switches	Standard – Two SPDT end of travel limits rated (10 A at 125 Vac, 5 A at 250 Vac).				
Auxiliary Switches	Optional – Up to 4 additional SPDT switches rated (10 A at 125 Vac, 5 A at 250 Vac)				
Certifications					
Approvals	CE Compliance/CSA/UL				

Torque Settings of Crank Arm Bolts	
Clamp Bolt	Standard Arm (Part Number 087449) (1-7/16-5 in. adjustment): 85 lb-ft. Optional Long Arm (Part Number 154007) (0-12 in. adjustment): 85 lb-ft.
Rod End Bolt	Standard and long arms: 30-35 lb./ft

Specification – Actuator with Motor Positioner Board

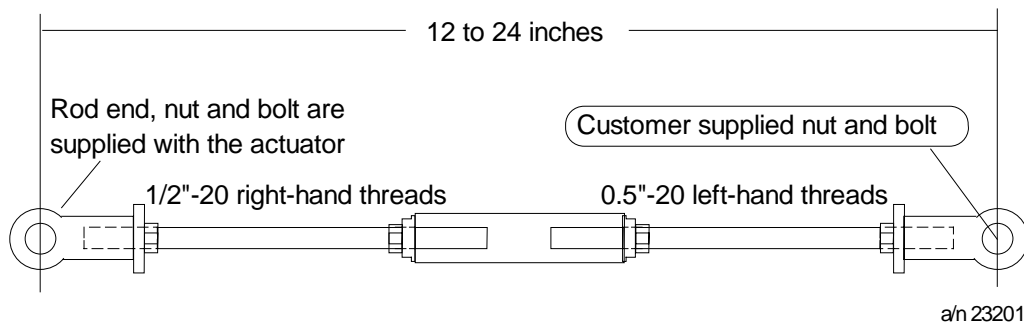
Electrical		
Input Signals	Input: 4-20 mA 1 Vdc to 5 Vdc with appropriate shunt resistor for current range (Resistor: 250 ohms \pm 0.1 % Part Number: 070756)	
Input Impedance	Input 4-20 mA 1-5 V with fail-safe Jumper W2 1-5 V without fail-safe Jumper W2	Input Impedance 250 ohms 10 K ohms 10 M ohms
Sensitivity	0.20 % to 5 % span adjustable. Shipped at approximately 0.5 % span	
Hysteresis	Less than 0.4 % of full scale	
Linearity	\pm 0.25 % of span	
Repeatability	0.2 % span	
Voltage/ Supply Stability	0.25 % of span with +10/-15 % voltage change	
Temperature Coefficient	Less than \pm 0.030 % of span per degree C for 0 °C to 50 °C Less than \pm 0.05 % of span per degree C for -30 °C to 85 °C	
Zero Suppression	100 % of span	
Input Filter	Adjustable to smooth input signal	
Maximum Input Voltage	5 Vdc	
Output	Two triac switches for raise-or-lower motor operation. Transient voltage protection provided.	
Fail-safe operation	If input signal falls below 2% of span, there are four choices selected by a movable jumper: stop, go full upscale, go full downscale, or go to a selected (adjustable) position.	
Isolation	Input is isolated from power	

Specification – Actuator with Output Board

Electrical	
Feedback signals	0-20 mA 4-20 mA 1-5 Vdc with 250 ohm resistor 0-16 Vdc with 800 ohm resistor
Slidewire Emulation	Provides output voltage ratiometric to shaft position and potentiometric to supply voltage (1-20 Vdc) without a slidewire. Emulates a 100 ohm to 1000 ohm slidewire. 10 mA output maximum.
Isolation	Output is isolated from power and input signal by 240 Vac
Load Requirement	Current Out — 0-1000 ohms

Turnbuckle Linkage Kits (Table V, Option E)

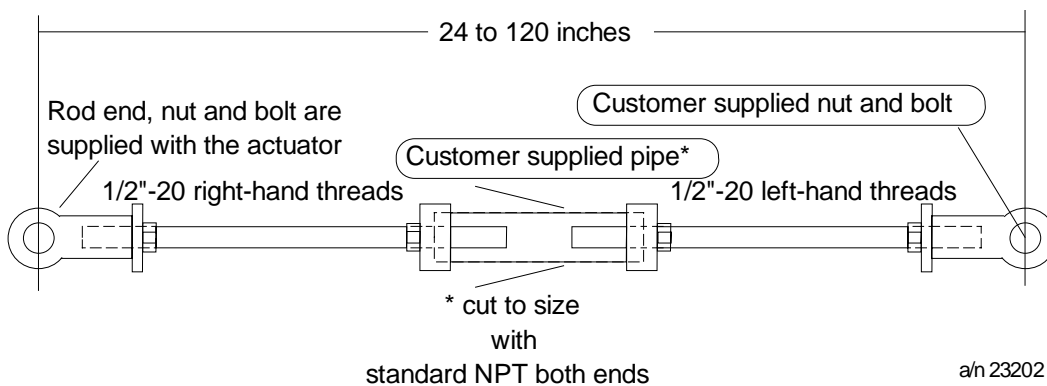
These kits are to be used where short lengths are required. These lengths range from 12 inches to 24 inches and refer to the rod end center-to-center distance. All turnbuckle kits include the turnbuckle, load rod end (left-hand thread), connecting rods and locking nuts. The nut and bolt to connect the rod end to the load are supplied by the Customer. The actuator rod end (right-hand thread), nut and bolt are supplied with the actuator.



Turnbuckle Linkage Kit

Pipe Linkage Kits (Table V, Option E)

These kits are used for linkage lengths from 24 to 120 inches. All pipe linkage kits include the mechanical pipe couplings, load rod end (left-hand thread), connecting rods and locking nuts. The Customer must supply a piece of schedule 40 pipe* (Both ends with right-hand NP threads) and a nut and bolt to connect the rod end to the load. The actuator rod end (right-hand thread), nut and bolt are supplied with the actuator.



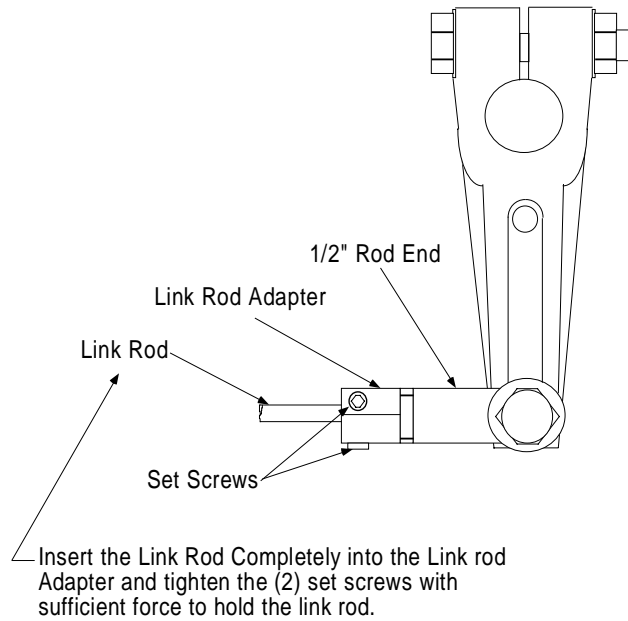
Pipe Linkage Kit

*Pipe length = Overall linkage length minus (-) 17 inches

Actuator Crank Arms

The 10260A Series Actuator comes standard with a 6" crank arm and there is an optional 12" crank arm that is adjustable from 0 to 12".

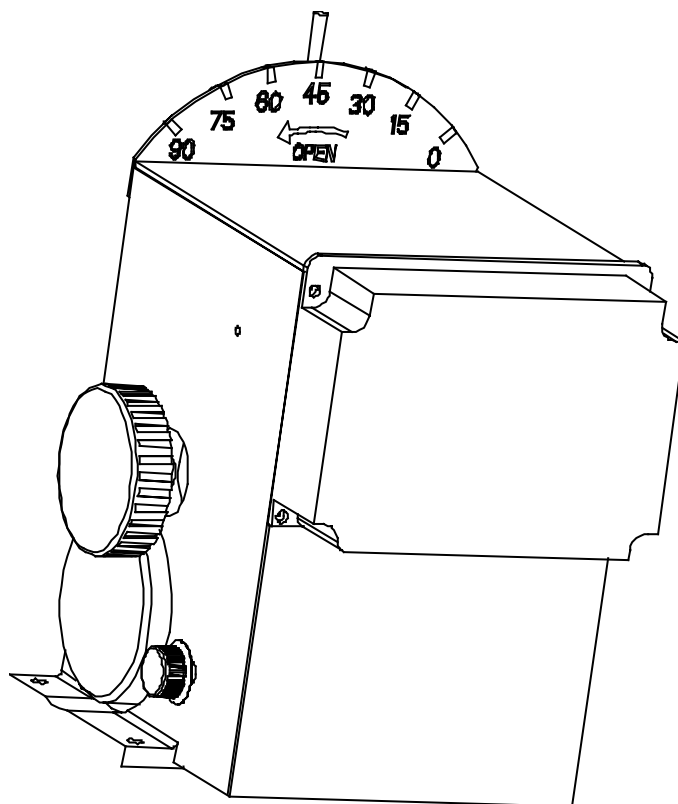
The 10260A Series Actuator crank arm uses a standard 1/2" rod end to compliment the turnbuckle and pipe linkage kits. The crank arm connects the link rod using a 1/2" rod end and a hex link rod adapter. For applications which use a link rod, a link rod adapter is available as an option in the MSG.



Standard 6" Crank Arm

Projecting Scale Option (Table V, Option B)

The projecting scale option is available for customers whose actuators are direct coupled or positioned such that it would be impossible to read the standard scale on the actuator. The projecting scale sits above the actuator and is readable from a distance from the front side of the actuator as well as the normal shaft side of the actuator.



Projecting Scale Option

Model Selection Guide

Reference 62-86-16-17

Instructions

- Select the desired key number. The arrow to the right marks the selection available.
- Make the desired selections from Tables I thru VII using the column below the arrow.
A dot (•) denotes unrestricted availability.

Key Number	I	II	III	IV	V	VI	VII

KEY NUMBER - Electronics

Output Torque (lb. - ft.) (N - M)	Full Travel Stroking - Time in Seconds		Selection	Availability
	60 Hz	50 Hz		
10 (15)	10	12	10261A	↓
20 (27)	20	24	10262A	↓
40 (55)	40	48	10264A	↓
60 (80)	60	72	10266A	↓
40 (55)	20	24	10267A	↓
80 (110)	40	48	10268A	↓
150 (200)	60	72	10269A	↓
200 (270)	40	48	10263A	↓
300 (400)	60	72	10265A	↓

TABLE I - POWER SUPPLY - SINGLE PHASE

120 VAC 60 Hz	Single Phase 120 VAC 60Hz Motor	1	•
120 VAC 50 Hz	Single Phase 120 VAC 50Hz Motor	2	•
220/240 VAC 60 Hz	Single Phase 220/240 VAC 60Hz Motor	3	•
220/240 VAC 50 Hz	Single Phase 220/240 VAC 50Hz Motor	4	•

TABLE II - CONTROLS

Up/Dn	Drive Up/Dn	0	•
4-20mAdc / 1-5Vdc	4-20mAdc or 1-5Vdc (w/resistor change)	1	•

TABLE III - CUSTOMER POSITION OUTPUTS

None	No position outputs provided	00	•
SEC (Note 1)	One slidewire emulation output - 3-Wire Position Proportional	01	•
Analog Output (Note 2)	4-20mAdc, 0-20mAdc, 0-5Vdc, 1-5Vdc, or 0-1.25Vdc	03	•

TABLE IV - CONTACT OUTPUTS

Limit Switches	1 CW & 1 CCW Limit Switch	0	•
Limit/Auxiliary Switches	1CW, 1CCW, & 2 Auxiliary SPDT Switches	2	•
Limit/Auxiliary Switches	1CW, 1CCW, & 4 Auxiliary SPDT Switches	4	•
Limit/Auto-Manual	1CW, 1CCW, Auto/Man Switch	5	•
Limit/Auto/Auxiliary	1CW, 1CCW, Auto/Man Switch & 2 Aux	7	•
Limit/Auto/Auxiliary	1CW, 1CCW, Auto/Man Switch & 4 Aux	9	•

- Note 1:** Slidewire emulation output is a solid state emulation circuit providing a ratiometric voltage slidewire signal without utilizing an actual slidewire. Emulates slidewires using voltages up to 20.0Vdc.
- Note 2:** Analog output is factory set to 4-20mAdc. Additional listed outputs are customer selectable by jumper and/or output resistor selection.

1026_ _ ▾

1A, 2A, 4A, 6A
7A, 8A, 9A, 3A

TABLE V - OPTIONS

			Selection	5A
A	Shafts	Standard	0XXXX	•
		5 Inch Extension	1XXXX	a
		3 Inch Extension	3XXXX	a
B	Projecting Scale	None	X0XXX	•
		3/4 Inch Shaft Coupling	X1XXX	b
		3/4 Inch Shaft Coupling, CCW to Open	X2XXX	b
		1 Inch Shaft Coupling	X3XXX	b
		1 Inch Shaft Coupling, CCW to Open	X4XXX	b
		CW to Open, No Coupling	X5XXX	c
		CCW to Open, No Coupling	X6XXX	c
C	Crank Arm	5 Inch Standard	XX0XX	•
		None	XX1XX	•
		12 Inch	XX2XX	•
		Crank Arm for North American Valves	XX3XX	•
D	Rod Adapter	None	XXX0X	•
		3/8 Inch	XXX1X	•
		5/8 Inch	XXX2X	•
		7/16 Inch	XXX3X	•
		7/8 Inch	XXX4X	•
E	Linkage Kits	None	XXXX0	•
		12 to 16 Inch Turnbuckle Kit	XXXX1	•
		16 to 20 Inch Turnbuckle Kit	XXXX2	•
		20 to 24 Inch Turnbuckle Kit	XXXX3	•
		1 Inch Pipe Kit	XXXX4	•
		1.5 Inch Pipe Kit	XXXX5	•
		2 Inch Pipe Kit	XXXX6	•

TABLE VI - OPTIONS

A	Weatherproof	None	0XX	•
		Yes NEMA 4	1XX	•
B	Approvals	None	X0X	•
		CE	X1X	•
		CSA (Note 3)	X2X	•
		UL (Note 3)	X3X	•
C	Tagging	None	XX0	•
		Linen (Note 4)	XX1	•
		Stainless Steel (Note 4)	XX2	•

TABLE VII - OPTIONS 2

A	Special Manuals	No Special Options (US Manual Standard)	0X	•
		English (European format)	1X	•
		French (European format)	2X	•
B	Other	None	X0	•
		Certificate of Conformance	X2	•
		Special instrument requirement	XX	--

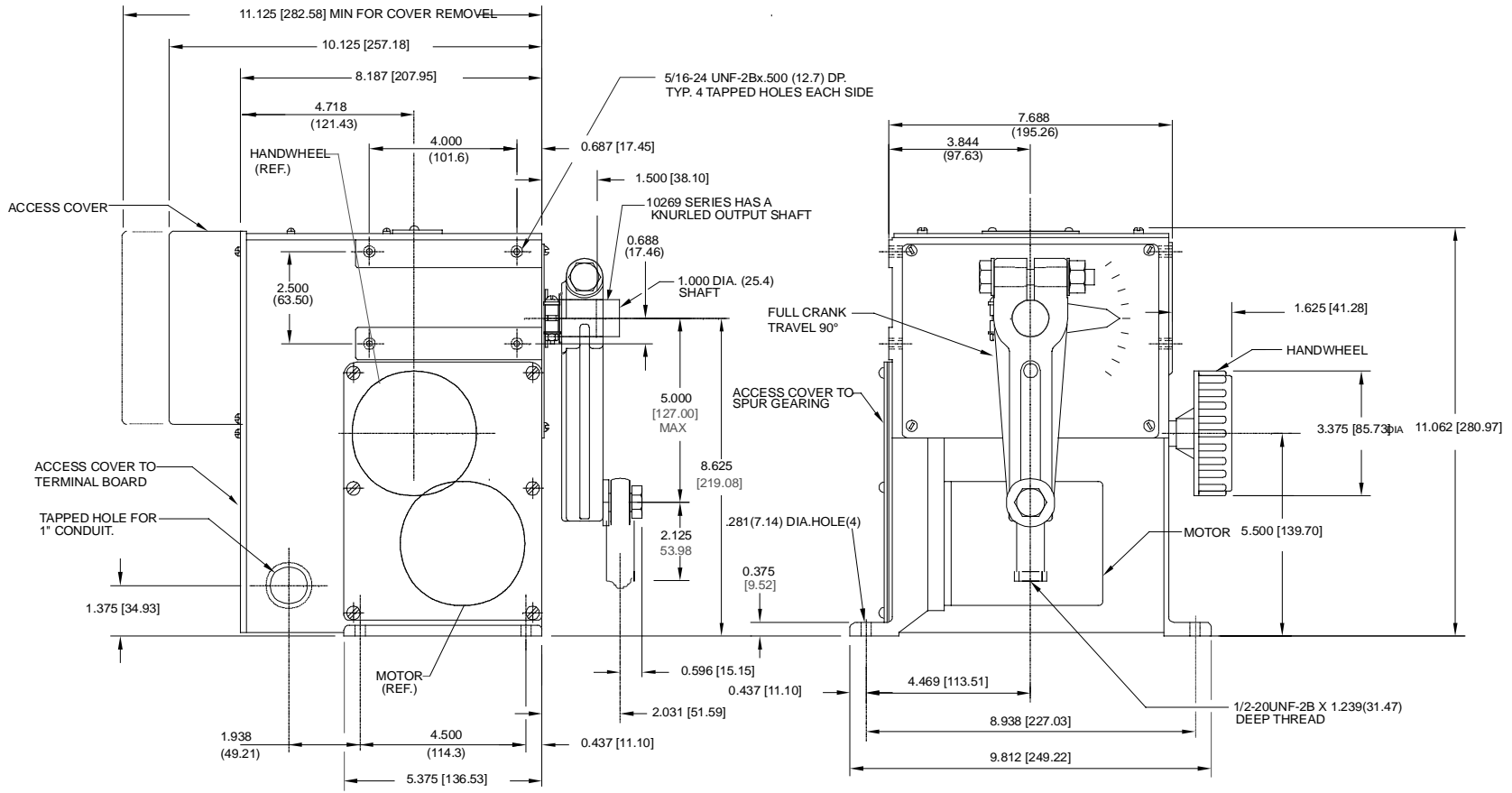
RESTRICTIONS

Restriction Letter	Table	Available Only With	Not Available With	
		Selection	Table	Selection
a	V	X0XXX	Key Number	10263A, 10265A, 10269A
b	V	0X100	Key Number	10263A, 10265A, 10269A
c	V	050XX,060XX,051XX,061XX	Key Number	10263A, 10265A, 10269A

Note 3: UL/CSA approval is good to + 65°C

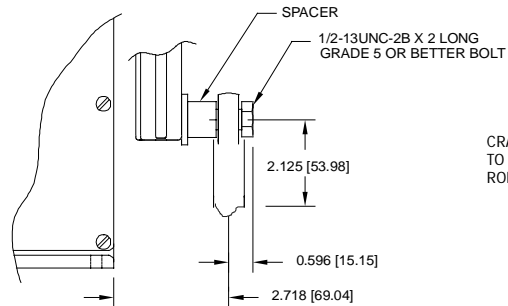
Note 4: Customer must supply tagging information - Up to 3 lines, 22 characters per line.

Outline and Dimensions of 10261 A, -62A, -64A, -66A, -67A -68A and -69A Actuators



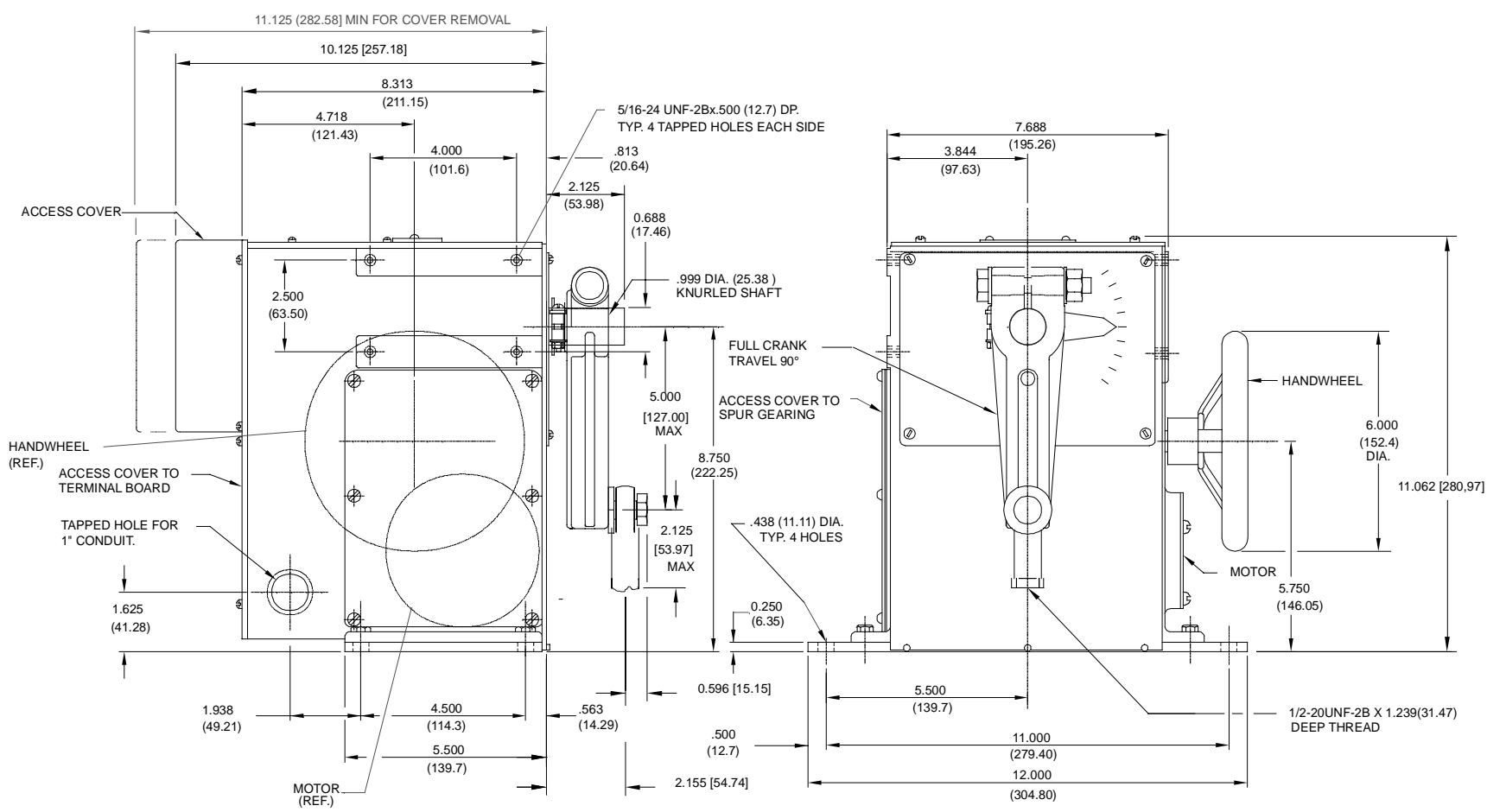
NOTES:

1. ACTUATOR CAN BE MOUNTED IN ANY POSITION.
2. PROVIDE ADEQUATE CLEARANCE AT ALL ACCESS COVERS FOR SERVICING AND ADJUSTMENTS.
3. WIRING DIAGRAM IS LOCATED ON THE INSIDE OF THE

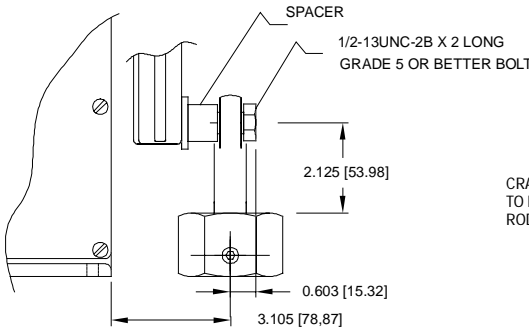


CRANK ARM (GOLD) CONFIGURATION TO MATCH CAST IRON (SILVER) CRANK ARM ROD END CENTERLINE. USE KIT 51309755-501

Outline and Dimensions of 10263A and 10265A Actuators



- NOTES:
1. ACTUATOR CAN BE MOUNTED IN ANY POSITION.
 2. PROVIDE ADEQUATE CLEARANCE AT ALL ACCESS COVERS FOR SERVICING AND ADJUSTMENTS.
 3. WIRING DIAGRAM IS LOCATED ON THE INSIDE OF THE TERMINAL BOARD ACCESS COVER.



CRANK ARM (GOLD) CONFIGURATION TO MATCH CAST IRON (SILVER) CRANK ARM ROD END CENTERLINE. USE KIT 51309755-501


WARRANTY/REMEDY

Honeywell warrants goods of its manufacture as being free of defective materials and faulty workmanship. Contact your local sales office for warranty information. If warranted goods are returned to Honeywell during the period of coverage, Honeywell will repair or replace without charge those items it finds defective. The foregoing is Buyer's sole remedy and is **in lieu of all other warranties, expressed or implied, including those of merchantability and fitness for a particular purpose.** Specifications may change without notice. The information we supply is believed to be accurate and reliable as of this printing. However, we assume no responsibility for its use.

While we provide application assistance personally, through our literature and the Honeywell web site, it is up to the customer to determine the suitability of the product in the application.

For more information, contact Honeywell sales at (800) 343-0228.

Distributor :



Honeywell

Sensing and Control
Honeywell
11 West Spring Street
Freeport, IL 61032