

DuraStar ^{Flat Glass LED Illuminator} ★

The Most Dependable
LED Illuminator for all
RELIANCE®
Flat Glass Level Gages

- High Contrast
- Superior Visibility Day or Night
- Field Upgradable
- Maintenance Free
- Long Life ~100,000 hrs.
- No Heat Generation
- Versatile
- *Continuous or "On-Demand"*
- Amber LED's for high intensity "star-like" image of the water line
- Longest Field-of-View
- Pays for itself in electricity savings alone!
- NO weather-proof illuminator hood used
- Models for Ordinary or Classified locations

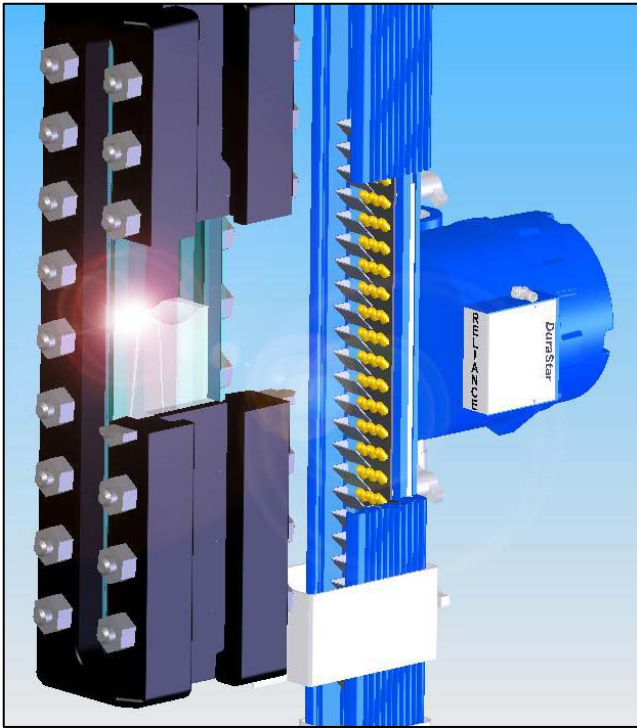


SPECIFICATIONS

| | |
|---|---|
| Power Supply: | 120 or 240 VAC @ 50-60 Hz |
| Power Consumption: | < 750 mA @ 120 VAC < 375 mA @ 240 VAC |
| Est. Life: | 100,000 Hours (continuous) |
| Agency Approvals: | FM, CE, CFM (Canadian Use) Class 1, Div I, Grps. B, C, & D Class II, Div I, Grps. E, F, & G |
| Wire Size: | Min 18 AWG / Max 12 AWG |
| Max Distance From Power Supply to Light Strip: | 8 ft (2.5m) |
| Ambient Temperature: | -40 F (-40 C) to 170 F (77 C) |
| Electrical Connection: | ¾" FNPT |

Clark-Reliance® is pleased to announce the addition of the DuraStar to the world's largest selection of level indication and control products for the boiler industry. The DuraStar is approved for use in Class 1, Div 1, Group B, C & D environments. Contact your local representative or a Reliance Applications Engineer to configure a DuraStar for your transparent glass level gages.

RELIANCE® DuraStar - Flat Glass Gage Illuminator



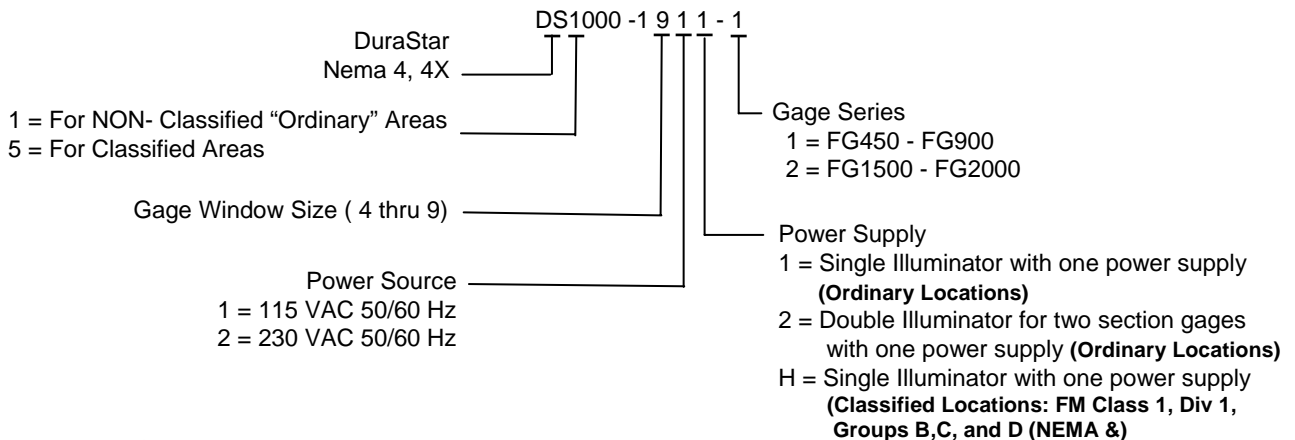
The DuraStar Illuminator uses three columns of "directed" amber color LED's to create a brilliant star-like image at the water level. The DuraStar easily attaches to new or existing Reliance level gages without the use of tools.



Explosion Proof
Power Supply
Intrinsically Safe
Lighting Circuit

| DuraStar Model No. | Fits Gage Glass | Length (Inches) | Length (mm) | Wt (LB) |
|--------------------|------------------|-----------------|-------------|---------|
| DS10001-4-1-1-1 | FG404 or FG904 | 11.75 | 298 | 7.50 |
| DS10001-5-1-1-1 | FG405 or FG905 | 13.00 | 330 | 7.75 |
| DS10001-6-1-1-1 | FG406 or FG906 | 14.50 | 368 | 8.00 |
| DS10001-7-1-1-1 | FG407 or FG907 | 15.75 | 400 | 8.25 |
| DS10001-8-1-1-1 | FG408 or FG908 | 17.25 | 438 | 8.50 |
| DS10001-9-1-1-1 | FG409 or FG909 | 18.00 | 457 | 8.75 |
| DS10001-4-1-1-2 | FG1504 or FG2004 | 13.00 | 330 | 7.75 |
| DS10001-5-1-1-2 | FG1505 or FG2005 | 14.50 | 368 | 8.00 |
| DS10001-6-1-1-2 | FG1506 or FG2006 | 15.75 | 400 | 8.25 |
| DS10001-7-1-1-2 | FG1507 or FG2007 | 16.50 | 419 | 8.50 |
| DS10001-8-1-1-2 | FG1508 | 18.00 | 457 | 8.75 |
| DS10001-9-1-1-2 | FG1509 | 19.00 | 483 | 9.00 |

To Specify a DuraStar LED Illuminator on a RELIANCE® FG Series Water Gage Glass:



Notes:

- For gages with three or more sections, combine single and double illuminators to minimize power supply requirements.
- For remote mounting of power supply, specify Part No. V20602 for a 6.5' power cable extension.



16633 Foltz Pkwy., Strongsville, OH 44149 USA
Telephone: (440) 572-1500 Fax: (440) 238-8828
www.clark-reliance.com sales@clark-reliance.com