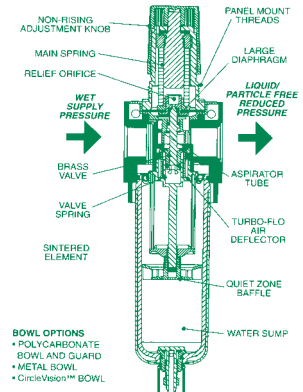
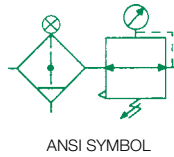


### P14B, P22B, P32B, P42B Series

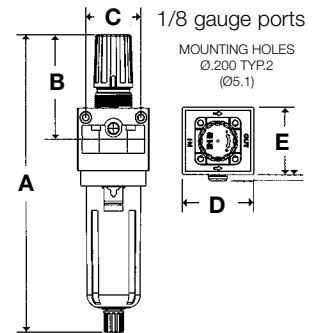
- Four convenient sizes
- 5 micron element standard (40 micron optional)
- Can be installed as individual or modular unit
- Locking non-rising adjustment knob
- Optional **CircleVision™** sight bowl
- Optional metal bowl (sight glass available on 22, 32 and 42 Series)
- Standard output pressure 0-125 PSIG
- Bowl seal held captive (22, 32, and 42 Series)



### Specifications

Bowl		14 Series	22 series	32 Series	42 Series
Temperature Range °F (°C)		40-120 (4-50)	40-120 (4-50)	40-120 (4-50)	40-120 (4-50)
Max. Pressure PSIG (BAR)	Poly C	150 (10)	150 (10)	150 (10)	150 (10)
	Metal	200 (14)	200 (14)	200 (14)	200 (14)
Weight lbs. (kg)	Poly C	0.75 (0.34)	0.91 (0.41)	1.81 (0.82)	5.05 (2.29)
	Metal	0.80 (0.37)	1.50 (0.68)	2.99 (1.34)	6.15 (2.79)
Nominal Flow SCFM (L/M)*		40 (1133)	60 (1699)	90 (2549)	300 (8496)
Body Material		Zinc	Aluminum	Aluminum	Aluminum

\*Nominal flow using a 5 micron element, at 100 psig (6.9 bar) inlet pressure and 80 psig (5.5 bar) set pressure



### Dimensions: Inches (mm)

Size	A	B	C	D	E
14	7.9 (200)	2.87 (73)	1.45 (37)	1.68 (43)	1.6 (41)
22	9.86 (251)	3.41 (87)	1.83 (46.5)	2.375 (60.4)	2.165 (54.9)
32	12.2 (309)	4.5 (114)	2.45 (62)	3 (76)	3 (76)
42	17.39 (442)	6.19 (157)	3.26 (83)	4 (102)	4 (102)

### How to Order

**P 14 B - 02 GIP**

**Model**  
 P = Particulate/Regulator

**Series**  
 14 = 1.5 oz Bowl  
 22 = 3.8 oz Bowl  
 32 = 8.5 oz Bowl  
 42 = 8.5 oz Bowl

**Element**  
 B = 5 Micron Element  
 A = 40 Micron Element

**Threads**  
 - = NPTF  
 G\* = G Tap (BSPP)  
 R = PT (BSPT)

**Port Size**  
 01 = 1/8 (14 series)  
 02 = 1/4 (14 or 22 series)  
 03 = 3/8 (22 series)  
 04 = 1/2 (22 or 32 series)  
 06 = 3/4 (32 or 42 series)  
 08 = 1 (42 series)

\*Conforms to ISO Standards 1179-1 and 228-1

#### Options

- A\*\* = Auto Drain (22, 32, and 42 Series)
- B = Flexible Drain
- C = CircleVision™ Sight Bowl
- G = Gauge
- H\*\* = 0-200 PSIG Output (22, 32 and 42 Series)
- I = 0-25 PSIG Output
- J = External Pulse Drain
- L = 0-60 PSIG Output (22, 32 and 42 Series)
- M = Metal Bowl (Sight Glass Available 22, 32 and 42 Series)
- N = Non-Relieving
- P = Panel Mount Nut (14, 22, and 32 Series)
- Q = Metal Manual Drain
- R = Manual Lever Drain
- T = Tamper Resistant
- S = Steel T Handle (42 Series)
- V = Shut off valve

\*\*\*A" and "H" options cannot be used together.

#### Notes:

- To order a piston style particulate filter/regulator, add "P" to the model number.(example: P32BP-04GIP)
- "T" option tamper resistant cannot be used with high pressure "H" option with 42 Series.