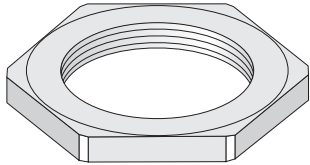
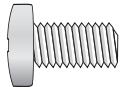
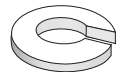
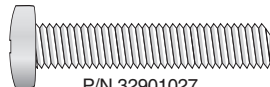



1"		x 2	P/N 22850089	M6x12		x 6	P/N 32901028	
					1/4"		x 4	P/N 32950005
	M6x30		x 2	P/N 32901027				
	M8x50		x 1	P/N 32901029				

1:1

Canada
1954 Technology Dr., P.O. Box 42225,
Peterborough, Ontario, K9J 7B1
(705) 745-243 Fax: (705) 741-0466

Australia
182 Normanby Rd., Box 339, South Melbourne,
011-613-9695-2400 Fax: 011-613-9695-2450

Belgium
August van de Wielelei 97, 2100 Deurne, Antwerp,
32(0)3326 45 34 Fax: 32(0)3326 05 23

England
Century House, Bridgewater Rd, Worcester, WR4 9ZQ
44 1905 450500 Fax: 44 1905 450501

France
Parc de la Sainte Victoire, Bat. 5, 13590, Meyreuil,
33 4 42 65 69 00 Fax: 33 4 42 58 63 95

Germany
Friedrichstrasse 69, D-76703, Kraichol,
49 (0) 7251/9642-0 Fax: 49 (0) 7251/9642-15

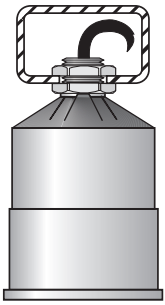
Hong Kong
1 Hei Wen Street, Suite 602, Quarry Bay,
011 852-2856-3166 Fax: 011 852-2856-2962

Mexico
Amores # 1155, Col. Del Valle, 03100, Mexico D.F.,
52 5 573-27-28 Fax: 52 5 573-26-86

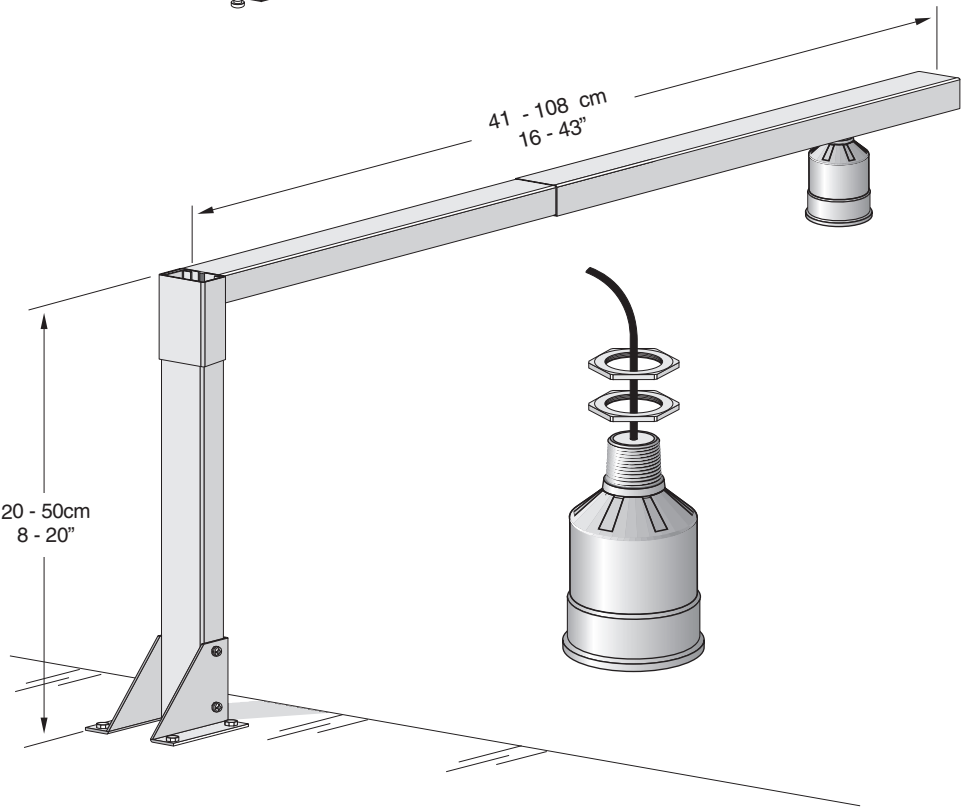
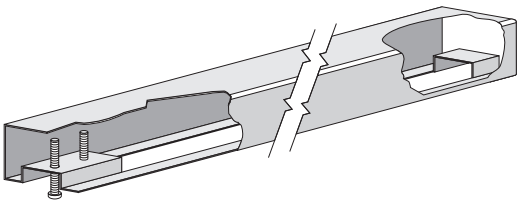
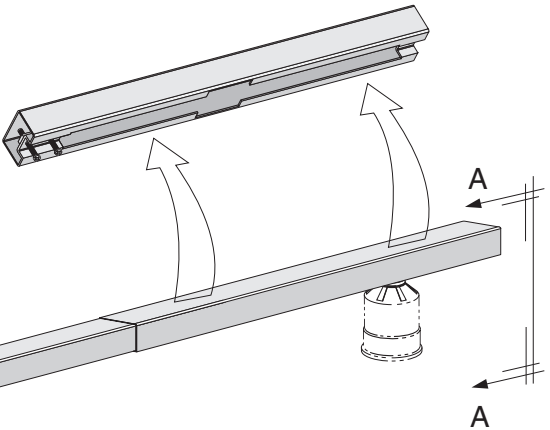
The Netherlands
Nikkelstraat 10, NL-4823 AB Breda,
31(0)76 5427 542 Fax: 31(0)76 5428 542

Switzerland
CP 168, Cdt de Plan 23, CH-1095 LUTRY
41 21 791 58 28 Fax: 41 21 791 58 40

USA
709 Stadium Drive, Arlington, Texas 76011
(817) 277-3543 Fax: (817) 277-3894



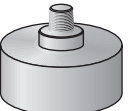
'A-A'



ST-H



ST-25



ST-50



XRS-5



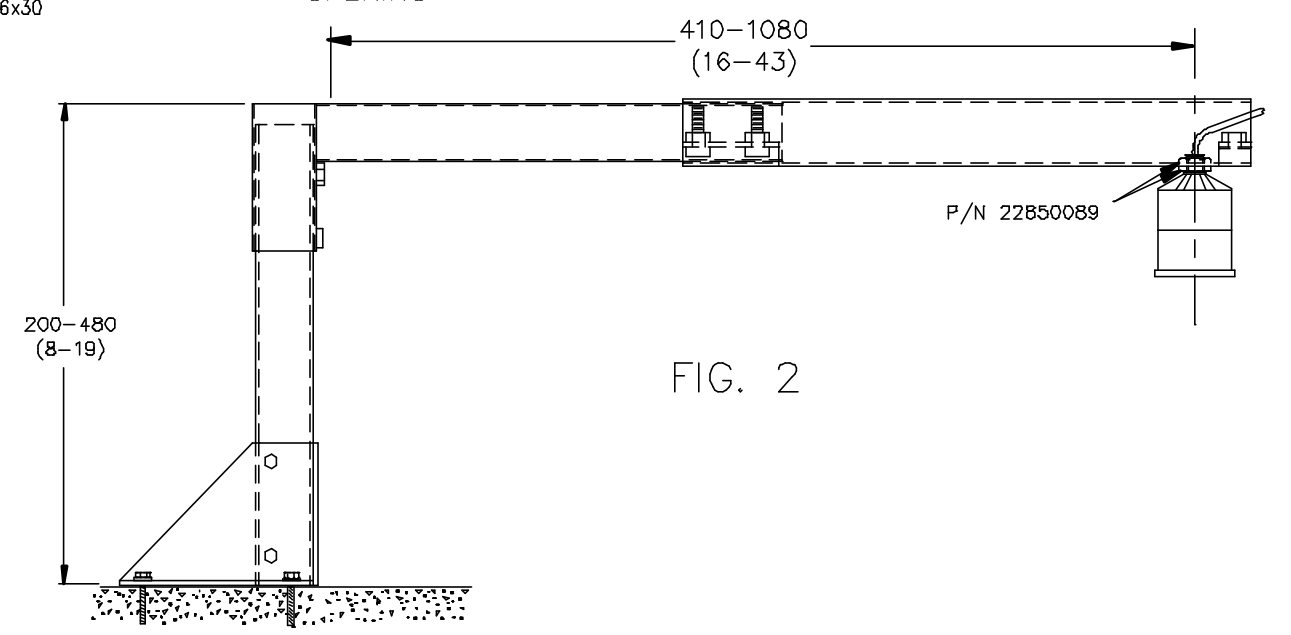
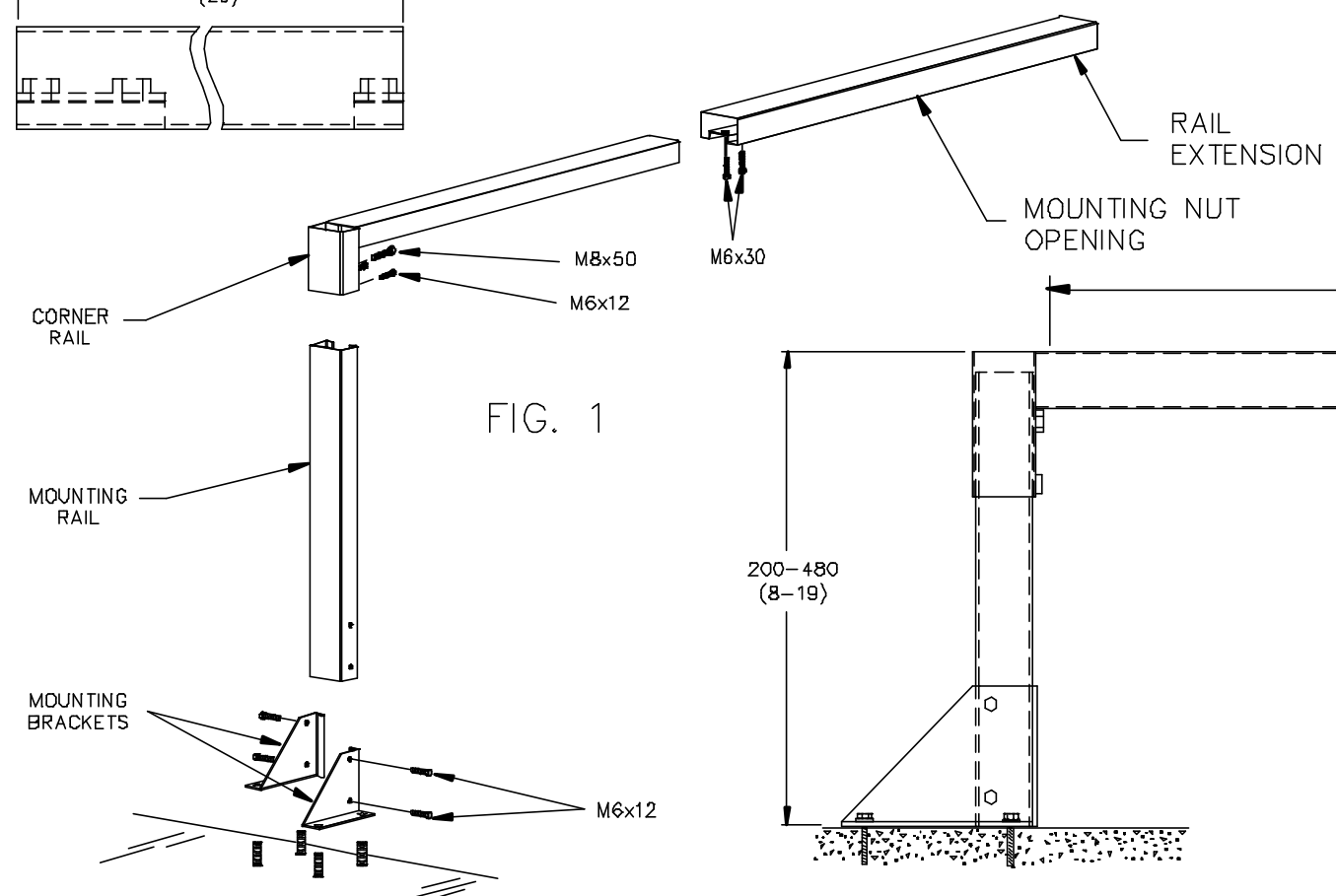
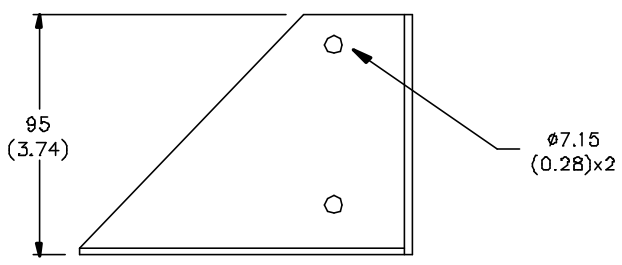
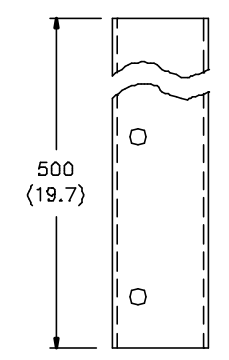
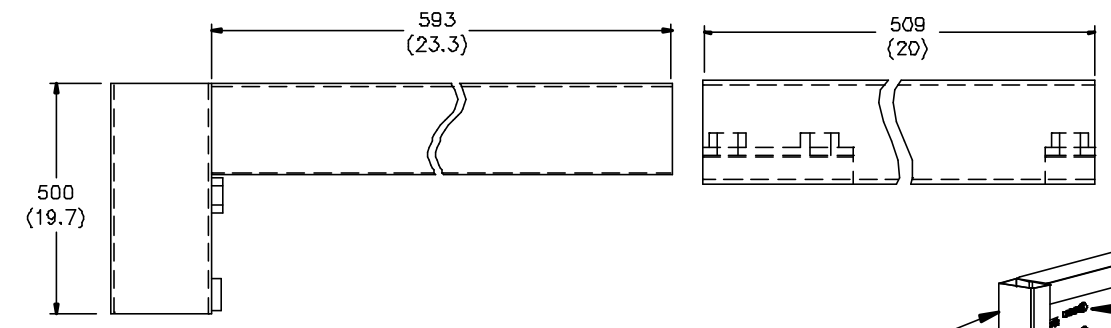
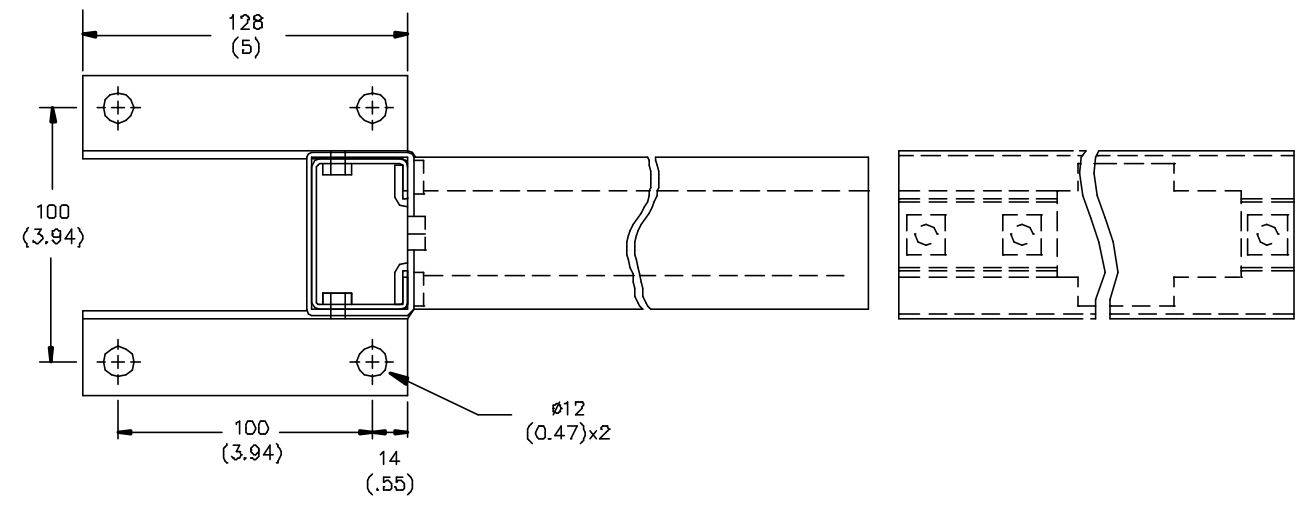
XCT-8/
XPS-10/
XPS-10F



XCT-12/
XPS-15/
XPS-15F

NOTES:

- 1) ALL DIMENSIONS ARE IN mm () DENOTE DIMENSIONS IN INCHES.
- 2) USE TEMPLATE PROVIDED IN INSTRUCTION MANUAL TO LAYOUT HOLES FOR MOUNTING THE FMS 320.
- 3) SLIDE THE MOUNTING RAIL INTO THE SLOTS ON THE MOUNTING BRACKETS AND SECURE WITH FOUR M6x12 SCREWS. SECURE THE CORNER RAIL TO THE MOUNTING RAIL WITH TWO M6x12 SCREWS AND M8x50 BOLT. SLIDE THE RAIL EXTENSION ON THE END OF THE CORNER RAIL AND SECURE WITH THE TWO M6x30 SCREWS. REFER TO FIG 1 & 2.
- 4) MOUNT THE FACE OF THE FMS 320 BRACKET TO A SOLID HORIZONTAL SURFACE ENSURING IT WILL SUPPORT THE ADDED WEIGHT OF THE SENSOR, (MAX 1.4 kg (3LBS.) AFTER MOUNTING IS COMPLETE. MOUNTING HARDWARE BY CUSTOMER.
- 5) WHEN MOUNTING AN XCT, XPS 10, 15, 10F, 15F, XRS OR ST-H TRANSDUCER USE THE TWO 1" NUTS P/N 22850089, TO SECURE THE SENSOR TO THE FMS 320. REFER TO FIG 2. ENSURE THAT WHEN THE SENSOR IS MOUNTED IT WILL BE THE REQUIRED DISTANCE AWAY FROM ANY WALL OR OBSTRUCTION. REFER TO TRANSDUCER INSTRUCTION MANUAL.
- 6) FOR FURTHER DETAILS REFER TO THE INSTRUCTION MANUAL OR CONTACT YOUR MILLTRONICS REPRESENTATIVE.



USE DIMENSIONS ONLY - DO NOT SCALE

0	FOR CONSTRUCTION	RPC	JCM	JAN 14/00
No.	REVISION DESCRIPTION	DWG BY	APPRO.	DATE

CONFIDENTIAL
IMPORTANT NOTICE
 THIS DOCUMENT REMAINS THE PROPERTY OF MILLTRONICS AND IS SUBJECT TO REGAL. IT MAY NOT BE COPIED, AND IS ISSUED AND CAN BE UTILIZED ONLY FOR SUCH LIMITED PURPOSES AS MAY SPECIFICALLY HAVE BEEN AUTHORIZED BY MILLTRONICS. IT IS TO BE MAINTAINED CONFIDENTIAL, SINCE IT MAY CONTAIN PROPRIETARY INFORMATION AND TRADE SECRETS OF MILLTRONICS OR OTHERS. THE ITEMS DEPICTED MAY THEMSELVES BE THE SUBJECT OF PATENTS, INDUSTRIAL DESIGN REGISTRATIONS OR COPYRIGHTS OF MILLTRONICS OR OTHERS, AND THE ISSUE OF THIS DRAWING DOES NOT IMPLY ANY LICENSE UNDER ANY SUCH RIGHTS.
 COPYRIGHT MILLTRONICS
 ALL RIGHTS RESERVED

DRAWING SCALE
 NONE
 DRAWN BY
 R. CLYSDALE
 CHECKED BY
 I. WATSON
 APPROVED BY
 J. MANN

TOLERANCES UNLESS OTHERWISE NOTED
 1 PLACE DECIMAL ± 0.3
 2 PLACE DECIMAL ± 0.10
 3 PLACE DECIMAL N/A
 FRACTIONS
 ANGLES $\pm 0.5^\circ$
 THIRD ANGLE PROJECTION

TITLE
FMS 320
CUSTOMER INSTALLATION
DRAWING



FILE No. 2365010700	SIZE B	DRAWING No. 23650107	REV. 0
PLOT AT 1=1	SHEET 1 OF 1		
JOB No.			

1
2
3
4
5
6
7
8
9
10