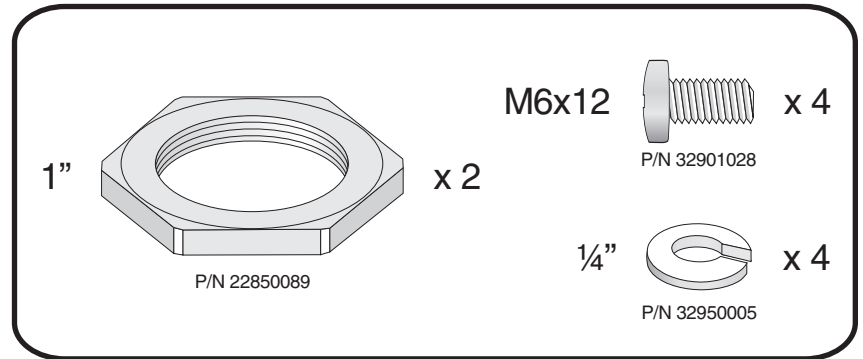
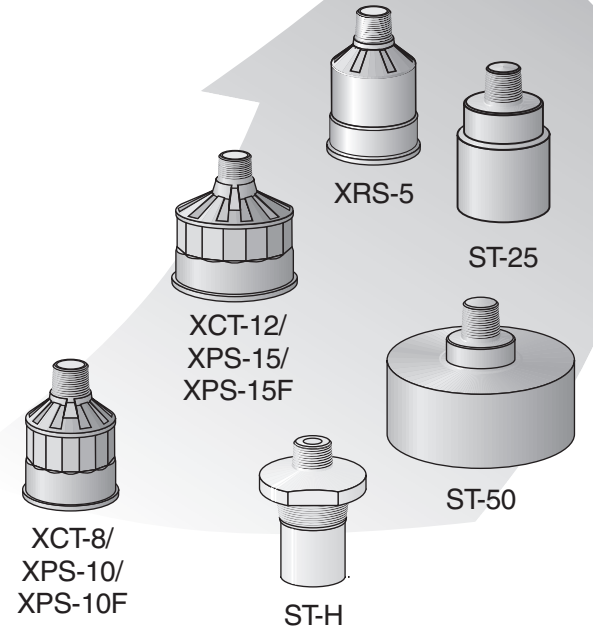
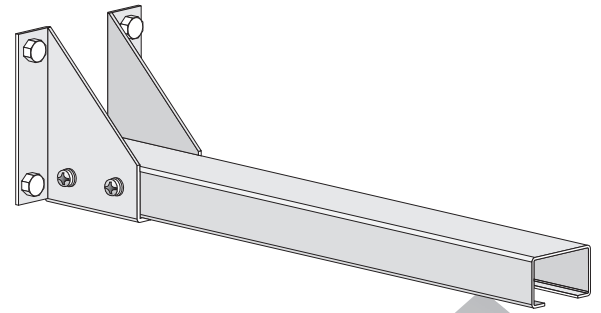




1:1



Canada
1954 Technology Dr., P.O. Box 4225,
Peterborough, Ontario, K9J 7B1
(705) 745-243 Fax: (705) 741-0466

Australia
182 Normanby Rd., Box 339, South Melbourne,
011-613-9695-2400 Fax: 011-613-9695-2450

Belgium
August van de Wielelei 97, 2100 Deurne, Antwerp,
32(0)3326 45 54 Fax: 32(0)3326 05 25

England
Century House, Bridgewater Rd, Worcester, WR4 9ZQ
44 1905 450500 Fax: 44 1905 450501

France
Parc de la Sainte Victoire, Bât. 5, 13590, Meyreuil,
33 4 42 65 69 00 Fax: 33 4 42 58 63 95

Germany
Friedrichstrasse 69, D-76703, Kraichol,
49 (0) 7251/9642-0 Fax: 49 (0) 7251/9642-15

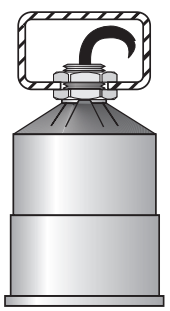
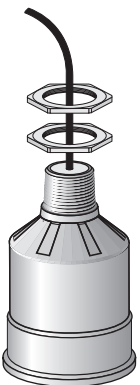
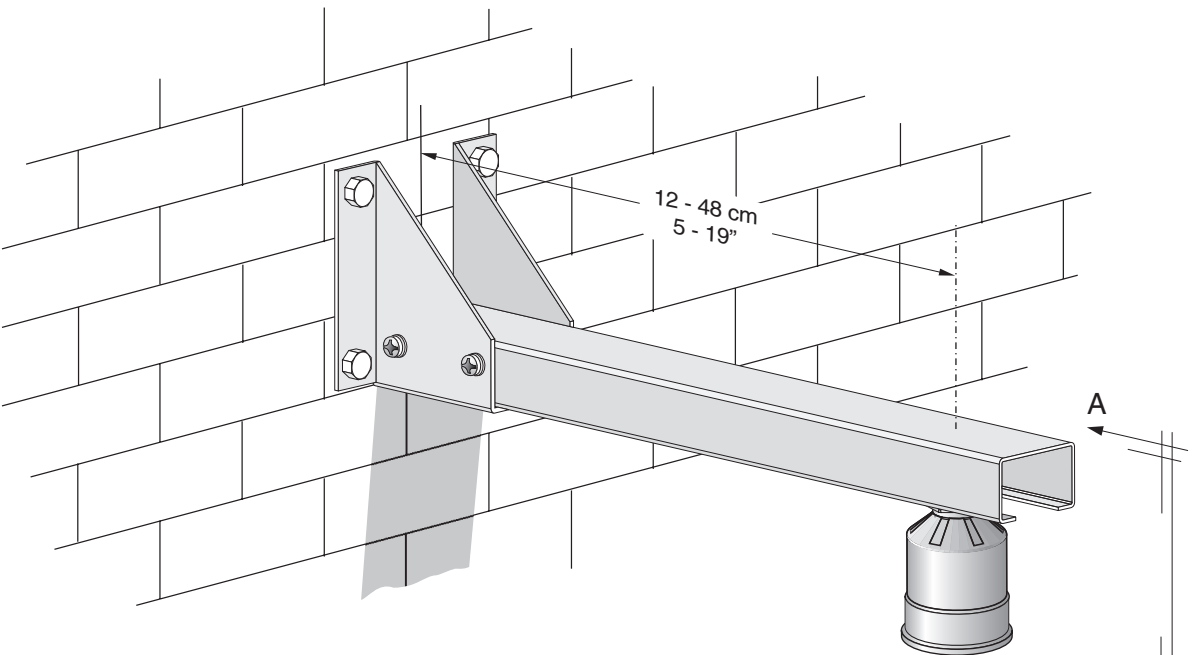
Hong Kong
1 Hei Wan Street, Suite 602, Quarry Bay,
011 852-2856-3166 Fax: 011 852-2856-2962

Mexico
Amores # 1155, Col. Del Valle, 03100, Mexico D.F.,
52 5 573-27-28 Fax: 52 5 573-26-86

The Netherlands
Nikkelstraat 10, NL-4823 AB Breda,
31(0)76 5427 542 Fax: 31(0)76 5428 542

Switzerland
CP 168, C/à de Plan 23, CH-1095 LUTRY
41 21 791 58 28 Fax: 41 21 791 58 40

USA
709 Stadium Drive, Arlington, Texas 76011
(817) 277-3543 Fax: (817) 277-3894



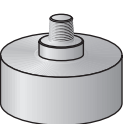
'A-A'



ST-H



ST-25



ST-50



XRS-5

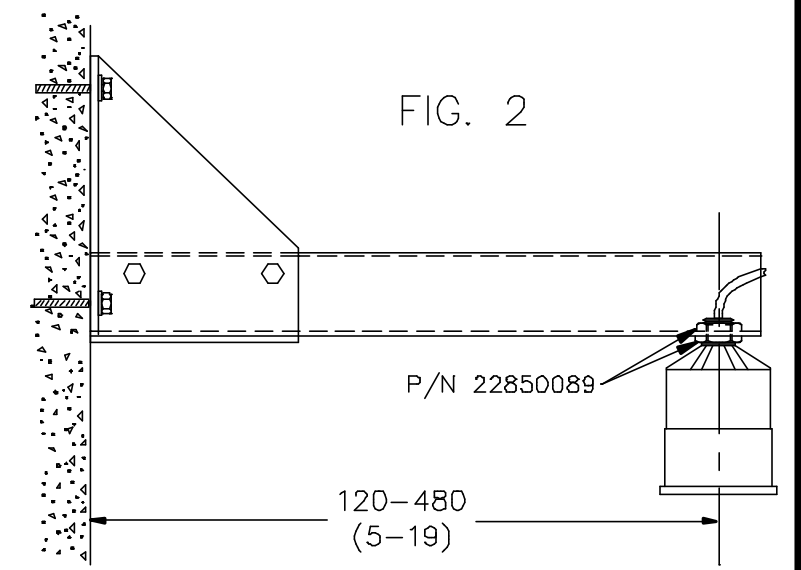
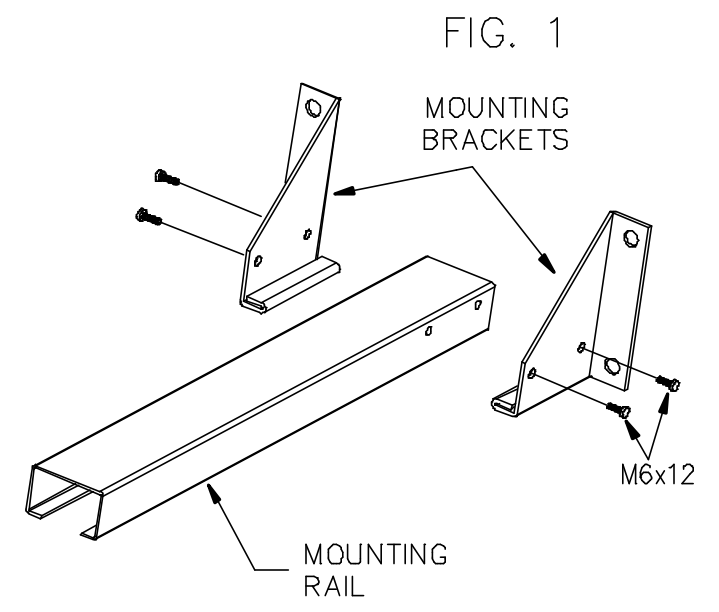
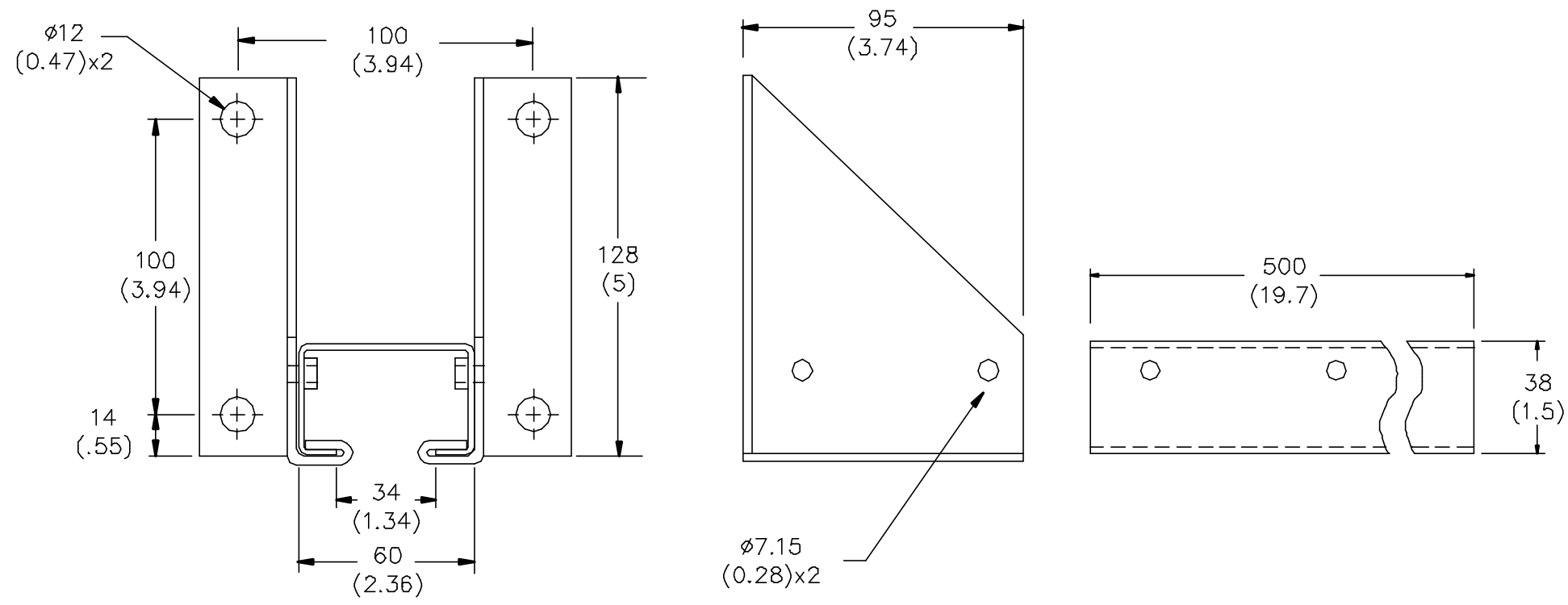


XCT-8/
XPS-10/
XPS-10F



XCT-12/
XPS-15/
XPS-15F

I A I B I C I D I E I F I G I H I I J I



NOTES:

- 1) ALL DIMENSIONS ARE IN mm () DENOTE DIMENSIONS IN INCHES.
- 2) USE TEMPLATE PROVIDED IN INSTRUCTION MANUAL TO LAYOUT HOLES FOR MOUNTING FMS 210.
- 3) SLIDE THE MOUNTING RAIL INTO THE SLOTS ON THE MOUNTING BRACKETS AND SECURE WITH THE FOUR M6 BOLTS. REFER TO FIG 1.
- 4) MOUNT THE FACE OF THE FMS 210 BRACKET TO A SOLID VERTICAL SURFACE ENSURING IT WILL SUPPORT THE ADDED WEIGHT OF THE SENSOR, (MAX 1.4 kg 3 LBS.) AFTER MOUNTING IS COMPLETE. (MOUNTING HARDWARE BY CUSTOMER)
- 5) WHEN MOUNTING AN XCT, XPS 10, 15, 10F, 15F, XRS OR ST-H TRANSDUCER USE THE TWO MOUNTING NUTS P/N 22850089, ONE ON TOP AND ONE UNDERNEATH TO SECURE THE SENSOR TO THE FMS 210. REFER TO FIG 2. ENSURE THAT WHEN THE SENSOR IS MOUNTED IT WILL BE THE REQUIRED DISTANCE AWAY FROM ANY WALL OR OBSTRUCTION. REFER TO TRANSDUCER INSTRUCTION MANUAL.
- 6) FOR FURTHER DETAILS REFER TO THE INSTRUCTION MANUAL OR CONTACT YOUR MILLTRONICS REPRESENTATIVE.

USE DIMENSIONS ONLY - DO NOT SCALE

0	FOR CONSTRUCTION	RPC	JCM	JAN 11/00
No.	REVISION DESCRIPTION	DWG BY	APPRO.	DATE

CONFIDENTIAL
IMPORTANT NOTICE
 THIS DOCUMENT REMAINS THE PROPERTY OF MILLTRONICS AND IS SUBJECT TO REGAL. IT MAY NOT BE COPIED, AND IS ISSUED AND CAN BE UTILIZED ONLY FOR SUCH LIMITED PURPOSES AS MAY SPECIFICALLY HAVE BEEN AUTHORIZED BY MILLTRONICS. IT IS TO BE MAINTAINED CONFIDENTIAL, SINCE IT MAY CONTAIN PROPRIETARY INFORMATION AND TRADE SECRETS OF MILLTRONICS OR OTHERS. THE ITEMS DEPICTED MAY THEMSELVES BE THE SUBJECT OF PATENTS, INDUSTRIAL DESIGN REGISTRATIONS OR COPYRIGHTS OF MILLTRONICS OR OTHERS, AND THE ISSUE OF THIS DRAWING DOES NOT IMPLY ANY LICENSE UNDER ANY SUCH RIGHTS.
 COPYRIGHT MILLTRONICS
 ALL RIGHTS RESERVED

DRAWING SCALE
 NONE
 DRAWN BY
 R. CLYSDALE
 CHECKED BY
 I. WATSON
 APPROVED BY
 J. MANN

TOLERANCES UNLESS OTHERWISE NOTED
 1 PLACE DECIMAL ±0.3
 2 PLACE DECIMAL ±0.10
 3 PLACE DECIMAL N/A
 FRACTIONS
 ANGLES ±0.5°
 THIRD ANGLE PROJECTION

TITLE
 FMS 210
 CUSTOMER INSTALLATION
 DRAWING



FILE No. 2365010400	SIZE B	DRAWING No. 23650104	REV. 0
PLOT AT 1=1		SHEET 1 OF 1	
JOB No.			

10