

In North American installations the External Modem Kit allows you to communicate quickly and easily with many of Milltronics products. The industrial dial-up modem is connected through an RS-232 port on the product.

Containing an external industrial modem, power supply, connection cables, and a detailed instruction manual, the External Modem Kit allows quick and easy setup and communications.

The instruction manual describes how to configure the modem and each of the approved Milltronics products, saving time and frustration in trying to determine the correct modem settings.

The kit can be mounted using screws or a DIN rail. All components are industrial grade and can stand up to the industrial environment.



Product Features

- Milltronics approved industrial modem
- Detailed Instruction Manual
- All required cables included
- Speed-up commissioning of remote communications
- Reliable dial-up communications

Technical Specifications

Model

- VT-Modem-1US, SIXNET external modem, DIN rail or flat panel mountable
- refer to SIXNET modem manual

Power Supply

- Siemens logo power supply
- 120 Vac / 230 Vac input
- 24V / 1.3 A output
- DIN rail or flat panel mountable

Operating Temperature

- -30 to 70°C (-22 to 158°F)

Compatible Instruments

- EnviroRanger ERS 500, Accumass BW500, Accumass SF500, AiRanger with SmartLinx® Modbus RTU card, InterRanger DPS 300 with SmartLinx® Modbus RTU card and Open Channel Meter OCM III

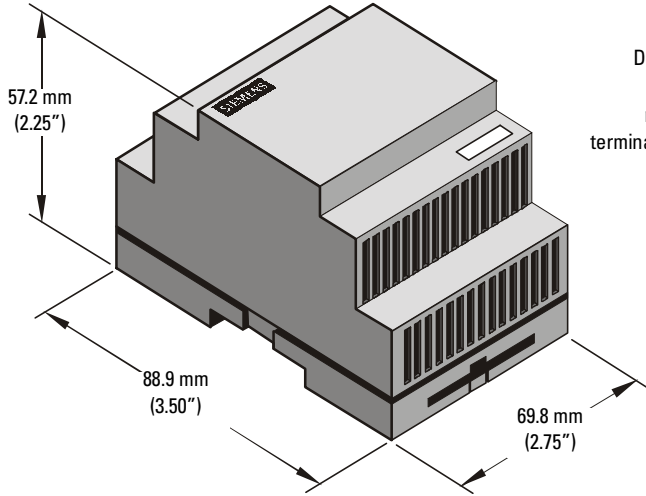
Availability

- for use in North America

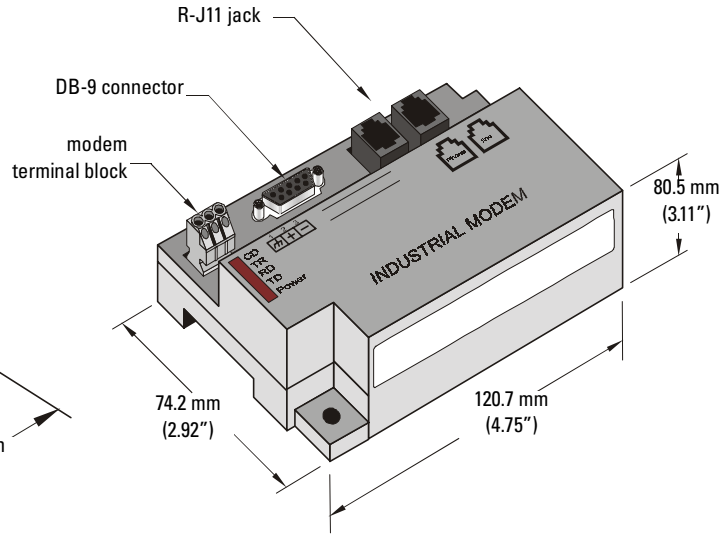
External Modem Kit

Dimensions

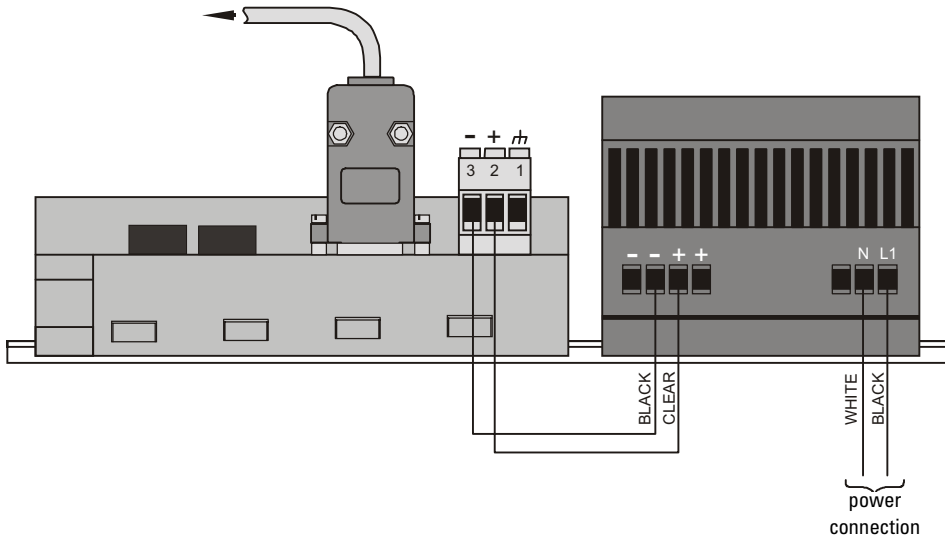
Power Supply



Modem



Assembly



Connections: see Instruction Manual for detailed drawings

LEVEL MEASUREMENT
COMMUNICATIONS