



# JACOBY-TARBOX®

Products Manufactured by the Clark-Reliance Corporation  
16633 Foltz Parkway  
Strongsville, OH 44148 USA  
PH: +1(440)-572-1500  
WEB: www.clarkreliance.com

## PHAETON® SL SIGHT LIGHT

Section: T400  
Bulletin: T400.113  
Date: 02/02/11  
Supersedes: NEW

DRAWN: FWK | DATE: 02/02/11 | SCALE: NONE | FILE: T400-113.DWG

### HOW TO SPECIFY <sup>(1)</sup> THE PHAETON® SL BY PART NUMBER

**NOTE:**

EXAMPLE IS A PHAETON® SL WITH ANODIZED ALUMINUM LIGHT BODY, 120 VAC POWER SUPPLY WITH B' OF CONNECTING CORDS AND STANDARD BRAIDED MOUNTING SET.

TIK-PH-SL-L-01-01

**MATERIAL CODE**

L = ALUMINUM LIGHT BODY  
S = STAINLESS LIGHT BODY

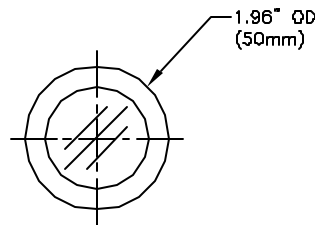
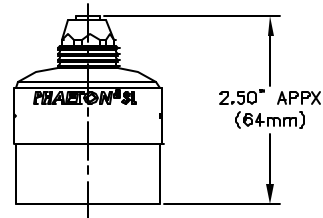
**POWER SUPPLY**

01 = 120 VAC  
02 = 240 VAC

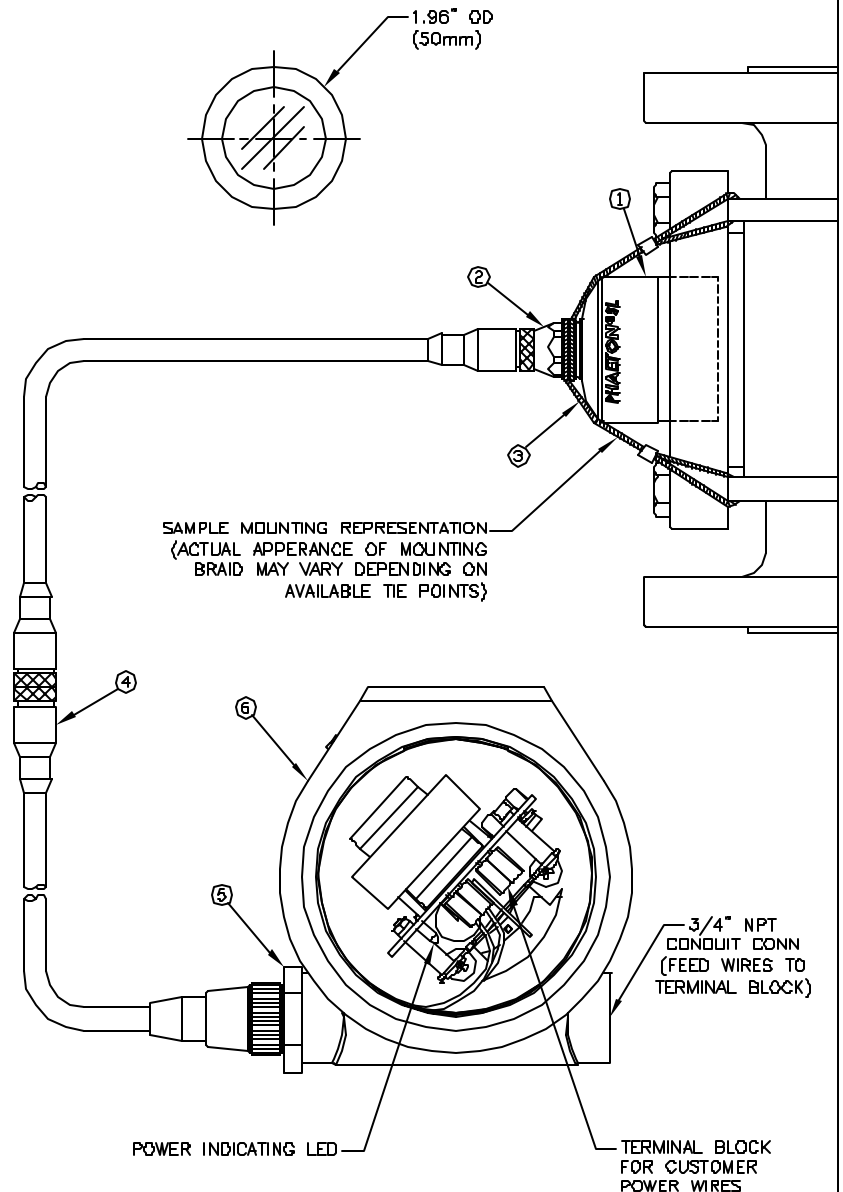
**TOTAL CORD LENGTH**

01 = 8'/2.5M (STANDARD)  
02 = 24'/7.5M  
03 = 40'/12.5M  
04 = 56'/17.5M  
05 = 72'/22.5M

THIS DRAWING AND ALL INFORMATION ON IT IS THE PROPERTY OF THE CLARK-RELIANCE CORPORATION. IT IS CONFIDENTIAL AND IS GIVEN TO YOU FOR A LIMITED PURPOSE AND MUST BE RETURNED UPON REQUEST. NEITHER THIS DRAWING NOR ANY PART OF IT NOR ANY INFORMATION CONCERNING IT MAY BE COPIED, EXHIBITED OR FURNISHED TO OTHERS NOR MAY PHOTOGRAPHS BE TAKEN OF ANY ARTICLE FABRICATED OR ASSEMBLED FROM THIS DRAWING WITHOUT CONSENT OF THE CLARK-RELIANCE CORPORATION.



ITEM	NAME OF PART	QTY.	MATERIAL (STANDARD)
1	LIGHT HOUSING	1	ANODIZED ALUMINUM
2	FEMALE RECEPTACLE	1	NICKEL PLATED ALLOY
3	BRAIDED MOUNTING SET	1	ALLOY STL. & ALUMINUM
4	CORSET	1	PVC COATED SHIELDED CABLE
5	EXP. PROOF RECEPTACLE	1	STAINLESS STEEL
6	ENCLOSURE	1	EPOXY COATED ALUMINUM



### PHAETON® SL SPECIFICATIONS

POWER SUPPLY INPUT: 120 OR 240 VAC @ 50/60 Hz

POWER CONSUMPTION: <.750 Amp @ 120 VAC  
<.375 Amp @ 240 VAC

ESTIMATED LIFE: 100,000 HOURS (CONTINUOUS)

ELECTRICAL CONNECTION: 3/4" NPT (FEMALE)

WIRE SIZE: MIN. 18 AWG / MAX. 12 AWG

MAX. DISTANCE FROM  
POWER SUPPLY TO LIGHT: 72' (22.5M)

AMBIENT TEMP.: -40°F (-40°C) TO 170°F (77°C)

**AGENCY**

APPROVALS: FM, CSA

CLASS I, DIV. 1, GROUPS B, C, D, T4  
CLASS II, DIV. 1, GROUPS E, F, G, T4  
INTRINSICALLY SAFE OUTPUT



APPROVED



**{1}IMPORTANT:**

PLANT SAFETY ENGINEER IS RESPONSIBLE FOR DETERMINING SUITABILITY OF THE UNIT IN ANY PARTICULAR HAZARDOUS LOCATION. JACOBY-TARBOX IS A REGISTERED TRADEMARK OF THE CLARK-RELIANCE CORP.