

Thermostatic Capsule Steam Traps

Models
GSM17
GCM17

THERMOSTATIC CAPSULE STEAM TRAPS

GSM17 Series

The GSM17 features all stainless steel construction and a built-in strainer for use in or around harsh environments. Trap may be disassembled for thermal capsule replacement or inspection of strainer.

For capacities up to 1200 lbs/hr at up to 250 psi (17 bar) ΔP , the GSM 17 is for use where stainless steel construction is needed on small process equipment, tracers and dripleg.



GCM17 Series

The GCM17 features a forged carbon steel body and all stainless steel internals with a built-in Y type strainer and check valve for use in or around harsh environments. Trap may be disassembled for thermal capsule replacement or inspection of strainer.

For capacities up to 2200 lbs/hr at up to 250 psi (17 bar) ΔP , the GCM17 is for use where significant condense flows are required on process equipment, tracers and driplegs.



ORDERING SCHEMATIC

MODEL					
G	C	M	17		

MODEL					
G	S	M	17		

6	SIZE
1	3/8"
2	1/2"
3	3/4"
4	1"

7	CONNECTIONS
1	NPT
2	FSW

8	SPECIALITIES
0	None



A Division of
 Richards Industries
 3170 Wasson Road
 Cincinnati, OH 45209

toll free. 800.543.7311
 local. 513.533.5600
 fax. 513.871.0105

steam@richardsind.com
 www.bestobellsteamtraps.com

THERMOSTATIC CAPSULE STEAM TRAPS
SPECIFICATIONS

Maximum Differential Pressure:
 Model GSM17: 250 psi (17 bar)
 Model GCM17: 250 psi (17 bar)

Maximum Operating Pressure:
 Model GSM17: 580 psi (40 bar)
 Model GCM17: 580 psi (40 bar)

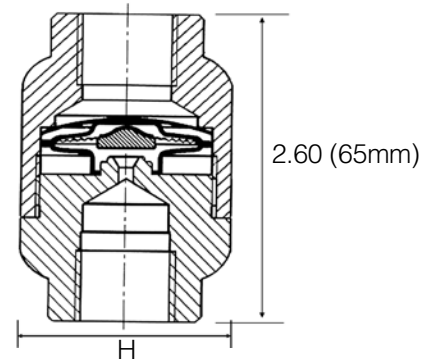
Maximum Allowable Temperature:
 Model GSM17: 750°F (400°C)
 Model GCM17: 750°F (400°C)

MODEL GSM17 MATERIALS

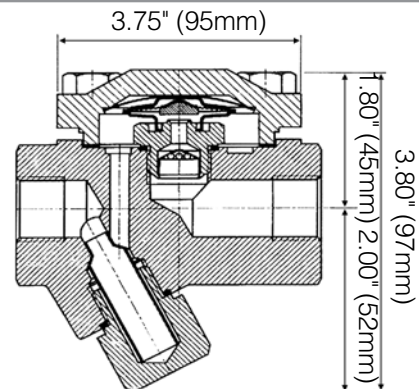
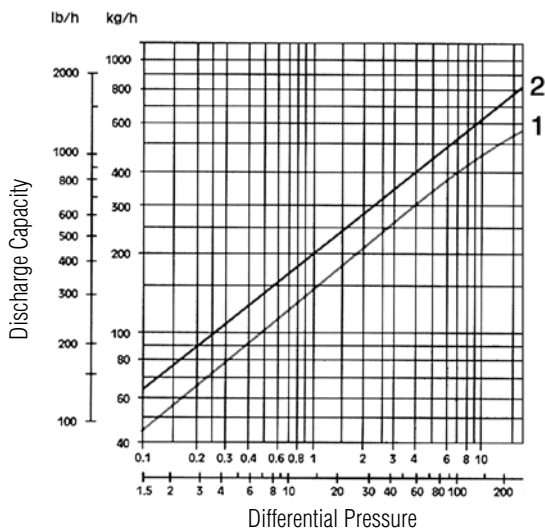
Body & Cover: Stainless Steel
Valve Seat: Stainless Steel
Strainer: Stainless Steel
Thermostatic Capsule: Stainless Steel

MODEL GCM17 MATERIALS

Body & Cover: Forged Carbon Steel A105
Valve Seat: 304 Stainless Steel
Strainer: Stainless Steel
Bolts: ASTM A193B16

MODEL GSM17 SERIES DIMENSIONS


Size	H
3/8" (10mm)	1.65 (42mm)
1/2" (15mm)	1.65 (42mm)
3/4" (20mm)	1.65 (42mm)
1" (25mm)	1.73 (44mm)

MODEL GCM17 SERIES DIMENSIONS

MODEL GSM17 DISCHARGE CAPACITIES

MODEL GCM17 DISCHARGE CAPACITIES
