



487

V11.2013

INSTRUMENTS • VALVES • CONTROLS

Chicago Area Office 135 Bernice Dr, Bensenville IL 60106
Milwaukee Area Office 5160 N 125th St, Butler WI 53007

E-mail: sales@lesman.com

Contact: \_\_\_\_\_ Ext. \_\_\_\_\_

Name: \_\_\_\_\_

Company: \_\_\_\_\_

Street: \_\_\_\_\_

City: \_\_\_\_\_ State: \_\_\_\_\_ Zip: \_\_\_\_\_

E-mail Address: \_\_\_\_\_

Phone: (\_\_\_\_) \_\_\_\_\_ Fax: (\_\_\_\_) \_\_\_\_\_

This is a: [X] Request for Quote [X] Order: PO# \_\_\_\_\_

Quantity Needed: \_\_\_\_\_ Date Required: \_\_\_\_/\_\_\_\_/\_\_\_\_

Shipping Method: \_\_\_\_\_ Partial Accepted: [X] Yes [X] No

Magnetic Level Indicator Application Datasheet



Process Conditions

Process Liquid: \_\_\_\_\_

Min. Specific Gravity: \_\_\_\_\_

Table with 4 columns: Min., Normal, Max., Units. Rows for Process Pressure (PSI, bar) and Process Temperature (°C, °F).

High Vibration Capability to Boil or Flash ASME B 31.3 Interface Specific Gravity: \_\_\_\_\_ ASME B 31

Design Information

Center to Center: \_\_\_\_\_

Indicator Dimension (if other than C to C): \_\_\_\_\_

Table with 4 columns: Process Connection (Welded, Threaded, Flanged), Connection Size, Flang Rating, Chamber Material, Vent or Drain Type, Vent or Drain Size, Indication Style, Engineering Units.

Optional Output

Table with 2 columns: Transmitter (Magnetostrictive, Reed), Switch (Dry Contact, Reed), Switch Type (SPDT, DPDT, SPDT-HT, DPDT-HT).

Testing and Documentation

Table with 2 columns: CRN, Dye Pan Fillet Welds, Hydrochart, Hydrotest Certificate, Material Certification, NACE, PMI; PMI (Third Party), Visual, X-Ray Butt Welds, 100% Final, 10% Spot, Other.

Mounting and Orientation

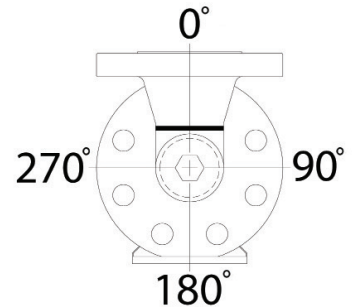
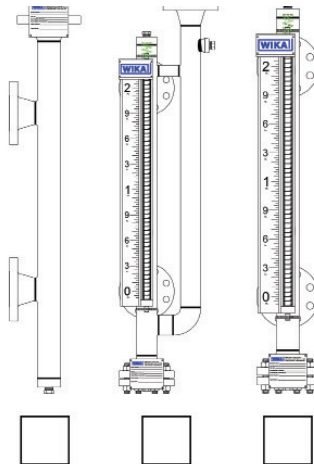


Table with 3 columns: Indicator, Transmitter, Switches. Rows for 270, 180, and 90 degree orientations.

Special Instructions/Notes: \_\_\_\_\_