



509

E1112013

INSTRUMENTS • VALVES • CONTROLS

Chicago Area Office
135 Bernice Dr, Bensenville IL 60106
Ph: 800-953-7626 • 630-595-8400
Fax: 630-595-2386

Milwaukee Area Office
5160 N 125th St, Butler WI 53007
Ph: 800-837-1700 • 262-923-1790
Fax: 262-923-1797

E-mail: sales@lesman.com

Contact: _____ Ext. _____

Name: _____

Company: _____

Street: _____

City: _____ State: _____ Zip: _____

E-mail Address: _____

Phone: (____) _____ Fax: (____) _____

This is a: Request for Quote Order: PO# _____

Quantity Needed: _____ Date Required: ____/____/____

Shipping Method: _____ Partial Accepted: Yes No

Tank and Hopper System

Questionnaire 2015



Process Conditions

What type of application is this?

Weight Only Flow Rate
Batching Other: _____

Any agitation, mixing, or seismic activity? Yes No

If yes, please describe: _____

Is the tank cooled or heated beyond room temperature? Yes No

Are extreme ambient temperatures present? Yes No

If yes, please specify: _____

Will load cells or cabling be exposed to corrosive agents? Yes No

Will any of the components be located outside? Yes No

Will stainless steel hardware be required? Yes No

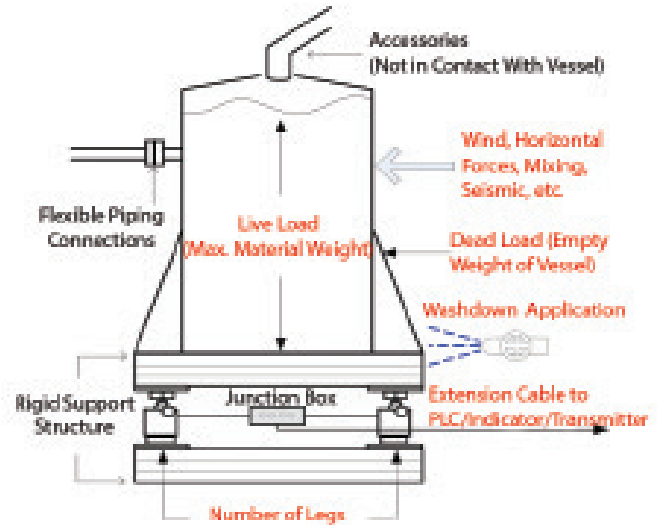
Do you need wash down ability? Yes No

If yes, please specify NEMA rating: _____

Are any components located in a hazardous area? Yes No

If yes, which components? _____

What is the hazardous rating? _____



Vessel/Weighting Point Requirements

Dead (Empty Weight) Load of Vessel

Including Attachments (mixers, etc.): _____

Live Load (Max. Material Weight): _____

Number of Legs or Gussets Supporting Tank: _____

Required Accuracy (% or ± Weight): _____

Required Extension Cable Length: _____ Feet Inches

Special Instructions/Notes: _____

Load Cells

General S-Type Low Profile Hygenic

Electronics

What type of indication is required?

Controller Indicator Blind Transmitter
Transmitter with Display

Will the indicator be subject to heavy washdown or any light splashing? Yes No

What communications are required to the PLC or DCS?

4-20mA Profibus DeviceNet
EthernetIP Ethernet TCP
Other: _____

Controller/Indicator Mounting Style:

Wall Mount Table Top Mount
Panel Mount Din-Rail Mount