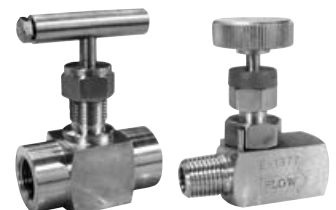


In these pages, you'll find the most popular configurations of Hex Valve instrument and manifold valves. If you don't see the material or options you need, don't hesitate to call Lesman. We'll find it for you!

Hex Valve hand valves are great for instrument isolation duties, giving you bubble-tight shutoff, with metal or soft seats for gas, vapor, or liquid applications. Their gauge valves include multiport and block-and-bleed styles for gauge isolation, calibration, and venting.



	Prices Start at	See Page
Gauge Valves		
Hex Valve HB24 Bleed Valves	\$51.30	343
Hex Valve HB26 Stainless Steel Bleed Valves	\$82.80	343
Hex Valve HB59 Integral Block and Bleed Valves	\$269.10	343
Hex Valve HB50 and HB51 Block and Bleed Valves	\$180.90	342
Hex Valve HB52 Bleed Tees	\$127.80	343
Hex Valve HG46 Compact Gauge Valve	\$230.40	341
Hex Valve HG47 Roddable Orifice Valve	\$954.00	341
Hex Valve HG48 Gauge and Block Valves	\$127.80	342
Hex Valve HG65 Orifice Block Valves	\$252.90	341
Hex Valve PG48 Gauge and Block Valves (Made to ANSI Spec)	\$346.50	348
Hex Valve PG65 Orifice Block Valves (Made to ANSI Spec)	\$512.10	348
Instrument Needle Valves		
Hex Valve HN29 Soft Seat Mini Needle Valves	\$58.50	346
Hex Valve HN49 Needle Valve with Integral Metal Seat	\$131.40	346
Hex Valve HN39 Stainless Steel Block Valves for High Pressures	\$53.10	347
Hex Valve HN41 Roddable Needle Valves	\$75.60	347
Manifold Valves		
Hex Valve HM13 and HM14 Rigid Mount Manifold	\$423.00	345
Hex Valve HM45 General Service Three-Valve Manifold	\$326.70	345
Hex Valve HM53 Flanged Manifold	\$306.90	344
Hex Valve HM54 Double-Flanged Manifold	\$318.60	344
Hex Valve HM58 Two-Valve Level Manifold	\$288.90	345
Hex Valve HM59 Static Pressure Manifold	\$233.10	344
Specialty Valves		
Hex Valve HS31 Sample and Tank Bottom Drain Valves	\$684.00	348
Accessories		
Crossover Chart from Anderson Greenwood or PGI to Hex Valve		340
Hex Valve HGVS Gauge Syphons for Steam and Heat-Transfer Media	\$250.20	347



Prices in this catalog are current at the publication date, and are subject to change without notice. Due to manufacturer agreements, some products may not be available in all Lesman markets or geographic areas.

Crossing Over from Anderson Greenwood or PGI

If you know the Anderson Greenwood or Precision General (PGI) series number you need to replace, here's a quick cross-reference to the comparable Hex Valve series.

Valve Type	Series Number			See Page
	AGCO	PGI	Hex Valve	
Differential Pressure Manifolds	M4	M-600	HM13 or HM53	344
	M4	M-700	HM14 or HM54	344
	M5 or M6	M-502	HM57	Call
	M6	M3-673 or M3-773	HM77	
	MI	M-500	HM45	
Close-Coupled Differential Pressure Manifolds	M2	M3-501	HM88	Call
Differential Pressure Level Manifolds	M4	—	HM58	345
	M5	M-656	HM18 or HM58	
Gauge Pressure Manifolds	M4	M-618	HM10 or HM50	Call
	MP	M-800	HM20	
		M-900	HM40	
	PTM	M-518	HM59	344

Valve Type	Series Number			See Page
	AGCO	PGI	Hex Valve	
Universal Gauge Valves	M5	V-516Y	HG46	341
		V3-516Y	HG47	341
		V-516	HG48	342
Gauge and Orifice Valves	CT7	—	HGSY or HGVS	347
	M5	V-579	HG65	341
Bleed and Tee Valves	BT	V-597	HB52	343
Bleed and Vent Plugs	VA	A7-529	HB24	343
Block and Bleed Valves	M25	V-570	HB59	343
	M9	V-522	HB50	342
Miniature Needle Valves	H1, H5, and H7	—	HN29	346
	H5V	—	HN39	347
	M25	V-570	HG35	Call

Due to manufacturer agreements, these products may not be available in all markets or geographic areas.

If you have a full Anderson Greenwood gauge valve and block and bleed valve model number, here's the cross-reference to the comparable Hex part number to order.

Block and Bleed Valves

Complete Model Number	
Anderson Greenwood	Hex Valve
M9HDC-44	HB501S3131263
M9HDC-46	HB501S4131263
M9HDC-44	HB501U3131263
M9HDS-46	HB501U4131263
M9HIC-44	HB501S3131413
M9HIC-46	HB501S4131413
M9HIS-44	HB501U3131413
M9HIS-46	HB501U4131413
M9VDC-44	HB501S3131262
M9VDC-46	HB501S4131262
M9VDS-44	HB501U3131262
M9VDS-46	HB501U4131262
M9VIC-44	HB501S3131412
M9VIC-46	HB501S4131412
M9VIS-44	HB501U3131412
M9VIS-46	HB501U4131412
M25HIC-44	HB591S3131413
M25HIC-46	HB591S4131413
M25HIS-44	HB591U3131413
M25HIS-46	HB591U4131413
M25VIC-44	HB591S3131412
M25VIC-46	HB591S4131412
M25VIS-44	HB591U3131412
M25VIS-46	HB591U4131412

Universal Gauge Valves

Complete Model Number	
Anderson Greenwood	Hex Valve
M5AKHSC-44	HG471S3131J23
M5AKHSC-46	HG471S4131J23
M5AKHSC-46-C	HG471S4231J23
M5AKHSS-44	HG471U3131J23
M5AKHSS-46	HG471U4131J23
M5AKHSS-46-LC	HG473U4231J23
M5AKVSC-44	HG471S3131J22
M5AKVSC-44-C	HG471S3231J22
M5AKVSC-46	HG471S4131J22
M5AKVSS-44	HG471U3131J22
M5AKVSS-44-LC	HG473U3231J23
M5AKVSS-46	HG471U4131J22
M5HDC-44	HG482S3131263
M5HDC-46	HG482S4131263
M5HDC-46C	HG482S3231263
M5HDS-44	HG482U3141263
M5HDS-46	HG482U4131263
M5HDS-46-LC	HG483U4231263
M5HIC-44	HG481S3131413
M5HIC-46	HG481S4131413
M5HIC-46-C	HG481S3231413
M5HIS-44	HG481U3131413
M5HIS-46	HG481U4131413
M5HIS-46-LC	HG483U3231413
M5KHDC-44	HG462S3131263
M5KHDC-46	HG462S4131263
M5KHDC-46-C	HG462S4231263
M5KHDS-44	HG462U3131263
M5KHDS-46	HG462U4131263
M5KHDS-46-LC	HG463U4231263

Complete Model Number	
Anderson Greenwood	Hex Valve
M5KHIC-44	HG461S3131413
M5KHIC-46	HG461S4131413
M5KHIC-46-C	HG461S4231413
M5KHIS-44	HG461U3131413
M5KHIS-46	HG461U4131413
M5KHIS-46-LC	HG461U4231413
M5KVDC-44	HG462S3131262
M5KVDC-44-C	HG462S3231262
M5KVDC-46	HG462S4131262
M5KVDS-44	HG462U3131262
M5KVDS-44-LC	HG463U3231262
M5KVDS-46	HG462U4131262
M5KVIC-44	HG461S3131412
M5KVIC-44-C	HG461S3231412
M5KVIC-46	HG461S4131412
M5KVIS-44	HG461U3131412
M5KVIS-44-LC	HG461U3231412
M5KVIS-46	HG461U4131412
M5VDC-44	HG482S3131262
M5VDC-44C	HG482S3231262
M5VDC-46	HG482S4131262
M5VDS-44	HG482U3131262
M5VDS-44-LC	HG483U3231262
M5VDS-46	HG482U4131262
M5VIC-44	HG481S3131412
M5VIC-44-C	HG481S3231412
M5VIC-46	HG481S4131412
M5VIS-44	HG481U3131412
M5VIS-44-LC	HG483U3231412
M5VIS-46	HG481U4131412

Watch our website!

A more complete Anderson Greenwood to Hex Valve crossover reference will be available soon.



HG Series Block Valves

Rotary and Smart
Actuator Motors

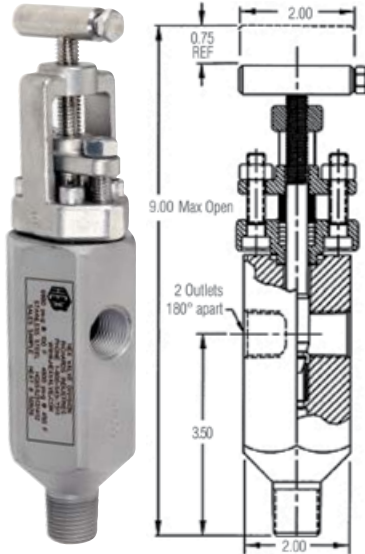
Instrument Valves

Process Control
Accessories

Pressure and
Temperature Switches

ASCO Solenoid Valves

Pressure Gauges

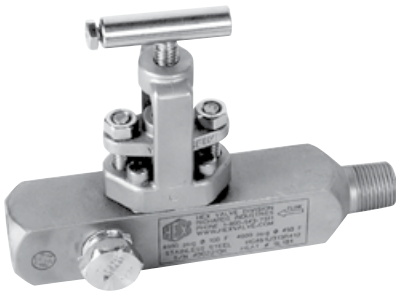


HG65 Orifice Block Valves

- For compact side-by-side mounting on standard orifice flanges. Ideal for tight installations
- Reduces potential leakage and costs by reducing the number of threaded connections (leak points), and lowers installation costs
- Non-rotating tip stem provides tight repeatable shutoff without galling or cross-scoring
- VOC Emissions Compliance: TFE-Chevron and high-temp Grafoil packing are certified to beat the 100 ppm EPA 1998 emission standards — no special bonnet needed
- Reduced cost and installation time: One HG65 replaces the conventional arrangement of gate valves, nipples, and tees for a lower cost, easy-to-install assembly.

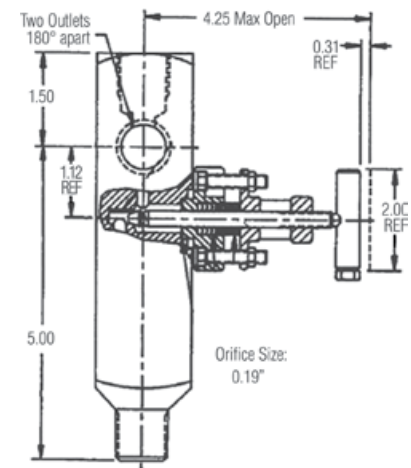
Model Selection Guide

Inlet	Outlet	Seat	Packing	Carbon Steel		Stainless Steel	
				Catalog Number	Price	Catalog Number	Price
1/2" NPTM	1/2" NPTF	316SS	TFE	HG651S3131412	\$252.90	HG651U3131412	\$465.30
1/2" NPTM	1/2" NPTF	316SS	Graphite	HG651S3131413	255.60	HG651U3131413	467.10
3/4" NPTM	1/2" NPTF	316SS	TFE	HG651S4131412	261.90	HG651U4131412	479.70
3/4" NPTM	1/2" NPTF	316SS	Graphite	HG651S4131413	263.70	HG651U4131413	481.50



HG46 Gauge Valves

- Compact, so you use less space with other valves
- Reduces threaded connection leak points
- Non-rotating tip eliminates seat galling, provides a bubble-tight shutoff
- OS&Y bonnet for added safety
- Packing below the threads prevents lubricant washout and corrosion



Available with Teflon soft seat. Call for pricing.

Model Selection Guide

Inlet	Outlet	Seat	Packing	Carbon Steel		Stainless Steel	
				Catalog Number	Price	Catalog Number	Price
1/2" NPTM	1/2" NPTF	Integral	TFE	HG461S3131412	\$230.40	HG461U3131412	\$279.90
1/2" NPTM	1/2" NPTF	Integral	Graphite	HG461S3131413	232.20	HG461U3131413	281.70
3/4" NPTM	1/2" NPTF	Integral	TFE	HG461S4131412	240.30	HG461U4131412	290.70
3/4" NPTM	1/2" NPTF	Integral	Graphite	HG461S4131413	242.10	HG461U4131413	292.50

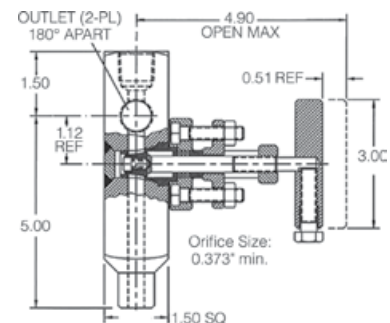


HG47 Roddable Orifice Valves

- Roddable hard-seat orifice valve ideal for high temperature, viscous services
- Non-rotating top eliminates seat galling, provides bubble-tight shutoff
- Reduce components and leak points to cut costs
- Compact design uses less space with other valves
- OS&Y bolted bonnet with threaded connections

Model Selection Guide

Inlet	Outlet	Seat	Packing	Carbon Steel		Stainless Steel	
				Catalog Number	Price	Catalog Number	Price
1/2" NPTM	1/2" NPTF	316SS Insert	TFE	HG471S3131J22	\$954.00	HG471U3131J22	\$ 970.20
1/2" NPTM	1/2" NPTF	316SS Insert	Graphite	HG471S3131J23	955.80	HG471U3131J23	972.00
3/4" NPTM	1/2" NPTF	316SS Insert	TFE	HG471S4131J22	972.90	HG471U4131J22	989.10
3/4" NPTM	1/2" NPTF	316SS Insert	Graphite	HG471S4131J23	974.70	HG471U4131J23	990.90

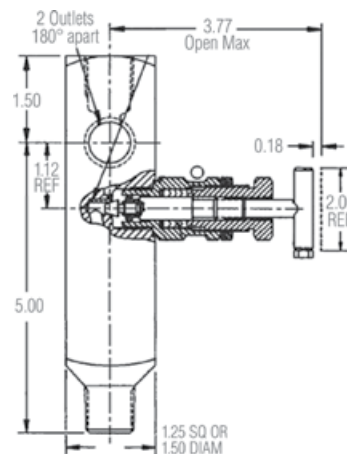


Gauge Block and Bleed Valves *HG and HB Series*



HG48 Gauge and Block Valves

- Provides three outlet connections for mounting gauges and static pressure instruments
- Fewer threaded connections for reduced leak points
- Teflon or graphite packing below threads prevents lubricant wash-out and corrosion



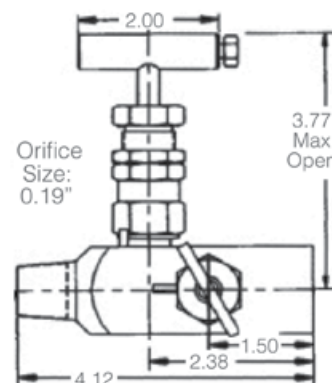
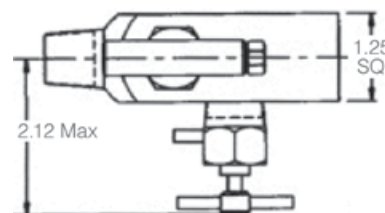
Model Selection Guide

Inlet	Outlet	Seat	Packing	Carbon Steel		Stainless Steel	
				Catalog Number	Price	Catalog Number	Price
1/2" NPTM	1/2" NPTF	Integral	TFE-Chevron	HG481S3131412	\$127.80	HG481U3131412	\$219.60
1/2" NPTM	1/2" NPTF	Integral	Graphite	HG481S3131413	130.50	HG481U3131413	221.40
1/2" NPTM	1/2" NPTF	TFE (Soft)	TFE-Chevron	HG482S3131262	200.70	HG482U3131262	243.90
3/4" NPTM	1/2" NPTF	Integral	TFE-Chevron	HG481S4131412	141.30	HG481U4131412	231.30
3/4" NPTM	1/2" NPTF	Integral	Graphite	HG481S4131413	143.10	HG481U4131413	233.10
3/4" NPTM	1/2" NPTF	TFE (Soft)	TFE-Chevron	HG482S4131262	211.50	HG482U4131262	254.70



HB50/HB51 Block and Bleed Valves

- Compact two-valves-in-one saves space
- HB50 is a fully packed and backseated block valve with a bleed valve, discharge tube, and stem stop
- Can be threaded into a primary block valve (HG46) for secondary block and bleed functions on multiple-instrument installations
- HB51 uses bleed screw instead of bleed valve
- Longer extension lengths also available. Call for pricing



Model Selection Guide

Inlet	Outlet	Seat	Packing	Carbon Steel		Stainless Steel	
				Catalog Number	Price	Catalog Number	Price
HB50: Fully packed and backseated block valve with bleed valve, discharge tube, and stem stop							
1/2" NPTM	1/2" NPTF	Integral	TFE	HB501S3131412	\$180.90	HB501U3131412	\$188.10
1/2" NPTM	1/2" NPTF	Integral	Graphite	HB501S3131413	182.70	HB501U3131413	189.90
1/2" NPTF	1/2" NPTF	Integral	TFE	HB501S3331412	194.40	HB501U3331412	209.70
1/2" NPTF	1/2" NPTF	Integral	Graphite	HB501S3331413	196.20	HB501U3331413	211.50
1/2" NPTM	1/2" NPTF	TFE (Soft)	TFE	HB502S3131262	192.60	HB502U3131262	264.60
3/4" NPTM	1/2" NPTF	Integral	TFE	HB501S4131412	184.50	HB501U4131412	198.90
3/4" NPTM	1/2" NPTF	Integral	Graphite	HB501S4131413	196.20	HB501U4131413	200.70
3/4" NPTM	1/2" NPTF	TFE (Soft)	TFE	HB502S4131262	205.20	HB502U4131262	278.10
HB50: Fully packed and backseated block valve with bleed screw.							
1/2" NPTM	1/2" NPTF	Integral	TFE	HB511S3131412	196.20	HB511U3131412	209.70
1/2" NPTM	1/2" NPTF	Integral	Graphite	HB511S3131413	198.90	HB511U3131413	211.50
3/4" NPTM	1/2" NPTF	Integral	TFE	HB511S4131412	192.60	HB511U4131412	220.50
3/4" NPTM	1/2" NPTF	Integral	Graphite	—	—	HB511U4131413	222.30

Don't see the valve you need? Call us!

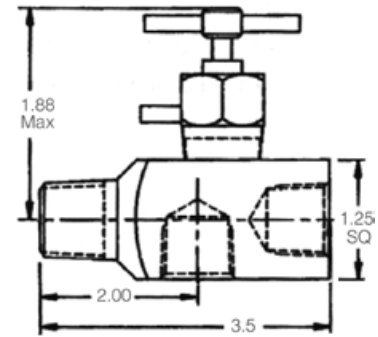


HB52 Bleed Tees

- For modernizing non-bleed gauge installations
- Simplify bleed-off: A turn of the handle directs flow through the discharge tube
- Fewer components and leak points for improved cost savings
- Two valves in one for better use of space

Model Selection Guide

Inlet	Outlet	Seat	Carbon Steel		Stainless Steel	
			Catalog Number	Price	Catalog Number	Price
1/2" NPTM	1/2" NPTF	Integral	HB521S313121	\$127.80	HB521U313121	\$146.70
3/4" NPTM	1/2" NPTF	Integral	HB521S413121	137.70	HB521U413121	158.40



Orifice Size: 0.315" with 0.127" bleed

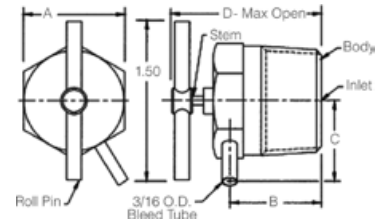


HB24 Bleed Valves

- For bleeding off high-pressure media
- Backout stops prevent inadvertent removal of the stem
- Easy-to-use T handle plus directional discharge/drain/tube
- Compact assembly for tight shutoff and bleed capabilities

Model Selection Guide

Inlet	Outlet	Seat	Packing	Dimensions				Carbon Steel		Stainless Steel	
				A	B	C	D	Catalog Number	Price	Catalog Number	Price
1/4" NPTM	Discharge Tube	Integral	TFE	0.62"	0.82"	0.82"	1.85"	HB241S112	\$51.30	HB241U112	\$67.50
1/2" NPTM	Discharge Tube	Integral	TFE	0.87"	1.00"	0.86"	2.14"	HB241S312	51.30	HB241U312	67.50

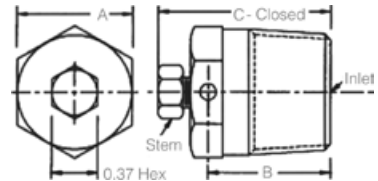


HB26 Stainless Steel Bleed Valves

- Hex head screw and discharge hole — no drain tube

Model Selection Guide

Inlet	Outlet	Seat	Packing	Dimensions			Catalog Number	Price
				A	B	C		
1/4" NPTM	Discharge Hole	Integral	TFE	0.62"	0.82"	1.29"	HB261U112	\$82.80
1/2" NPTM	Discharge Hole	Integral	TFE	0.87"	1.00"	1.36"	HB261U312	82.80



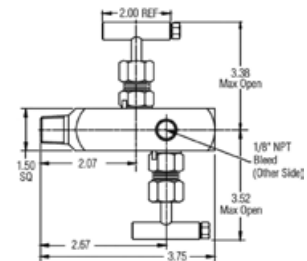
HB59 Integral Block and Bleed Valves



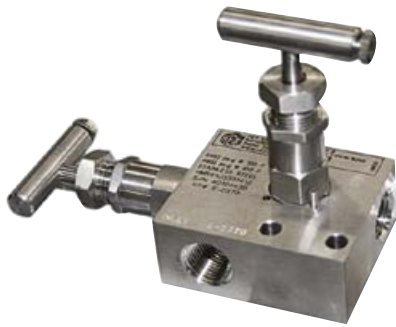
- Cost savings by reducing number of components and leak points
- Compact: two valves in one utilize less space
- Packing below threads prevents lubricant washout or corrosion
- Non-rotating tip eliminates seat galling, provides bubble-tight shut off

Model Selection Guide

Inlet	Outlet	Seat	Packing	Carbon Steel		Stainless Steel	
				Catalog Number	Price	Catalog Number	Price
1/2" NPTM	1/2" NPTF	Integral	TFE	HB591S3131412	\$269.10	HB591U3131412	\$353.70
1/2" NPTM	1/2" NPTF	Integral	Graphite	HB591S3131413	270.90	HB591U3131413	353.70
3/4" NPTM	1/2" NPTF	Integral	TFE	—	—	HB591U4131412	314.10
3/4" NPTM	1/2" NPTF	Integral	Graphite	—	—	HB591U4131413	353.70

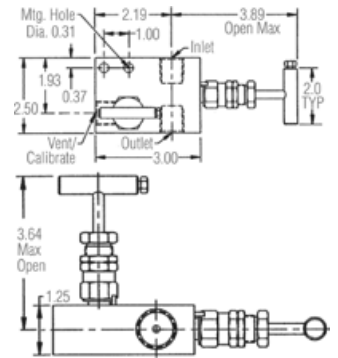


Valve Manifolds *HM Series*



HM59 Static Pressure Manifold

- Line-mounted two-valve manifold
- Shutoff and bleed valve for static pressure instrumentation
- Replace conventional nipples, pipes, elbows, tees, and gate valves for fewer potential leak points
- Non-rotating tip stem provides tight, repeatable shutoff without the galling or cross-scoring of ball-type stems
- Fully backseated bonnets prevent accidental stem removal and blowout, minimizes emissions



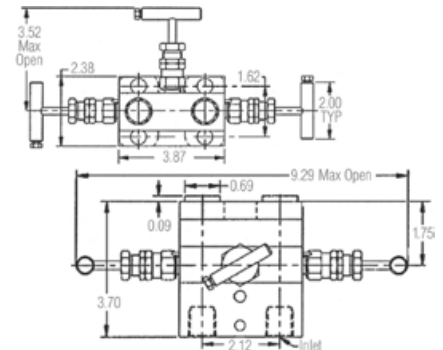
Model Selection Guide

Inlet	Outlet	Seat	Packing	Carbon Steel		Stainless Steel	
				Catalog Number	Price	Catalog Number	Price
1/2" NPTF	1/2" NPTF	Integral	TFE	HM591S3331412	\$233.10	HM591U3331412	\$265.50
1/2" NPTF	1/2" NPTF	Integral	Graphite	HM591S3331413	234.90	HM591U3331413	267.30
1/2" NPTF	1/2" NPTF	Integral	Viton	—	—	HM59FU3331416	279.90
1/2" NPTF	1/2" NPTF	TFE (Soft)	TFE	HM592S3331262	243.90	HM592U3331262	299.70
1/2" NPTF	1/2" NPTF	TFE (Soft)	Viton	HM59GS3331266	256.50	HM59GU3331266	290.70



HM53 Flanged Manifold

- Three-valve instrument manifold
- For block, equalizing, and vent requirements of differential pressure transmitter applications
- Exceeds 100 ppm EPA 1998 emission standard
- Minimum emission flange protects against gasket cold flow and fugitive emissions
- Backseated bonnet prevents accidental stem removal and blowout



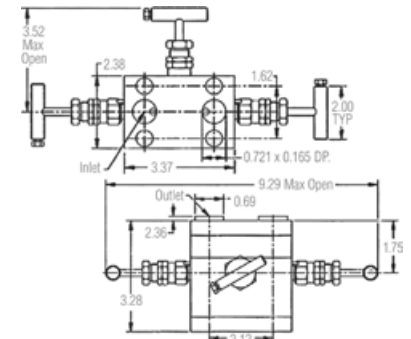
Model Selection Guide

Inlet	Outlet	Seat	Packing	Carbon Steel		Stainless Steel	
				Catalog Number	Price	Catalog Number	Price
1/2" NPTF	Flanged	Integral	TFE	HM531S3399412	\$306.90	HM531U3399412	\$353.70
1/2" NPTF	Flanged	Integral	Graphite	HM531S3399413	308.70	HM531U3399413	355.50
1/2" NPTF	Flanged	TFE (Soft)	TFE	HM532S3399262	387.90	HM532U3399262	426.60



HM54 Flanged Manifold

- Double-flanged three-valve instrument manifold
- For block, equalizing, and vent requirements of differential pressure transmitter applications
- For compact, close-coupled or remote installations
- Exceeds 100 ppm EPA 1998 VOC emission standard
- Minimum emission flange protects against gasket cold flow and fugitive emissions



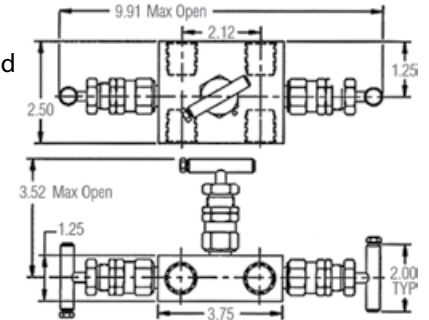
Model Selection Guide

Inlet	Outlet	Seat	Packing	Carbon Steel		Stainless Steel	
				Catalog Number	Price	Catalog Number	Price
Flanged	Flanged	Integral	TFE	HM541S9999412	\$318.60	HM541U9999412	\$361.80
Flanged	Flanged	Integral	Graphite	HM541S9999413	330.30	HM541U9999413	364.50
Flanged	Flanged	TFE (Soft)	TFE	HM542S9999262	397.80	HM542U9999262	438.30



HM45 Three-Valve Manifold

- Minimum emission flange protects against gasket cold flow and fugitive emissions
- Removable bracket option
- Non-rotating tip stem for tight, repeatable shutoff without the galling or cross-scoring of ball stems
- Fully backseated bonnets prevent accidental stem removal and blowout, minimizes emissions



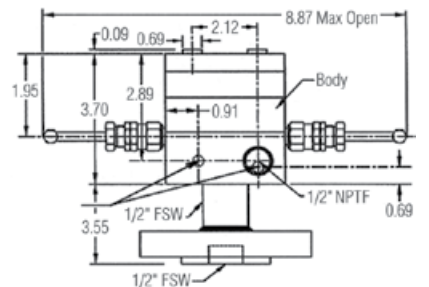
Model Selection Guide

Inlet	Outlet	Seat	Packing	Carbon Steel		Stainless Steel	
				Catalog Number	Price	Catalog Number	Price
1/4" NPTF	1/4" NPTF	Integral	TFE	—	—	HM451U1311412	\$464.40
1/2" NPTF	1/2" NPTF	Integral	TFE	HM451S3331412	\$326.70	HM451U3331412	464.40
1/2" NPTF	1/2" NPTF	Integral	Graphite	HM451S3331413	328.50	HM451U3331413	466.20
1/2" NPTF	1/2" NPTF	TFE (Soft)	TFE	—	—	HM452U3331262	507.60



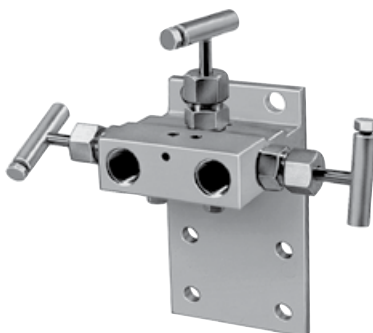
HM58 Two-Valve Level Manifold

- Universal design can be used for vented or closed tank; top, bottom, side installations
- Exceeds 100 ppm EPA 1998 emission standard
- Purge ports eliminate requirement for signal line tubing, tees, or fittings for purge media
- Minimizes installation time; eliminates instrument pipe stands, tubing, and fittings



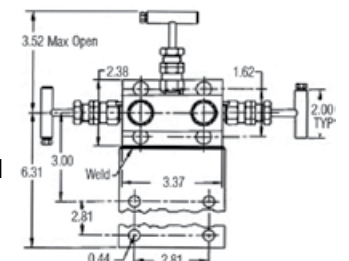
Model Selection Guide

Inlet	Outlet	Seat	Packing	Carbon Steel		Stainless Steel	
				Catalog Number	Price	Catalog Number	Price
1/2" NPTF	Flanged	Integral	TFE	HM581S3399412	\$288.90	HM581U3399412	\$383.40
1/2" NPTF	Flanged	Integral	Graphite	HM581S3399413	290.70	HM581U3399413	385.20
1/2" NPTF	Flanged	TFE (Soft)	TFE	HM582S3399262	384.30	HM582U3399262	470.70
1.0"/150#	Flanged	Integral	TFE	—	—	HM581U5C99412	844.20
1.0"/300#	Flanged	Integral	Graphite	—	—	HM581U5D99413	865.80
1.5"/150#	Flanged	Integral	Graphite	—	—	HM581U6C99413	876.60



HM13-HM14 Rigid Mount Manifold

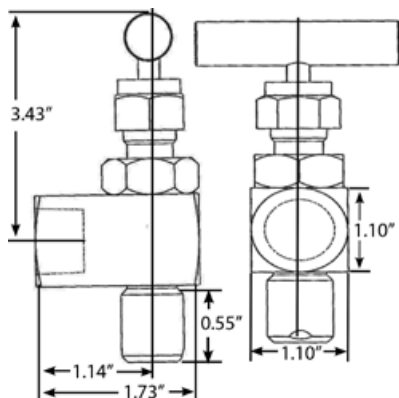
- Single or double flanged three valve manifolds
- Non-rotating tip stem provides tight, repeatable shutoff without the galling or cross-scoring of ball-type stems
- Fully backseated bonnets prevent accidental stem removal and blowout, reduces emissions



Model Selection Guide

Inlet	Outlet	Seat	Packing	Carbon Steel		Stainless Steel	
				Catalog Number	Price	Catalog Number	Price
1/2" NPTF	Flanged	Integral	TFE	HM131S3399412	\$423.00	HM131U3399412	\$492.30
1/2" NPTF	Flanged	Integral	Graphite	HM131S3399413	424.80	HM131U3399413	494.10
1/2" NPTF	Flanged	TFE	TFE	HM132S3399262	470.70	HM132U3399262	598.50
Flanged	Flanged	Integral	TFE	HM141S9999412	340.20	HM141U9999412	405.90
Flanged	Flanged	Integral	Graphite	HM141S9999413	343.80	HM141U9999413	407.70
Flanged	Flanged	TFE	TFE	HM142S9999262	533.70	HM142U9999262	620.10

Instrument Needle Valves *HN Series*



HN29 Soft Seat Mini Needle Valve

- Stainless steel body, Delrin soft seat, and Teflon packing
- Non-rotating tip provides tight repeatable shutoff without galling or cross-scoring that occurs on ball-type stems
- Small valve body design saves space and reduces costs
- Rated to 3000 PSIG at 100° F.

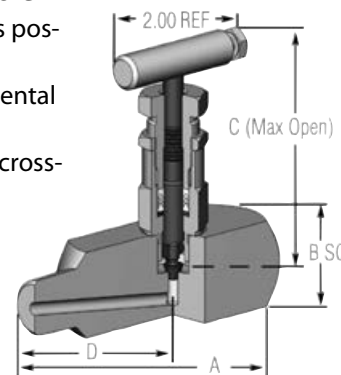
Model Selection Guide

Inlet	Outlet	Valve Cv	Orifice	Catalog Number	Price
1/4" NPTF	1/4" NPTF	0.15	0.13"	HN29-2F	\$58.50
1/4" NPTM	1/4" NPTM	0.15	0.13"	HN29-2M	66.60
1/4" NPTM	1/4" NPTF	0.15	0.13"	HN29-22MF	50.40



HN49 Needle Valve with Integral Metal Seat

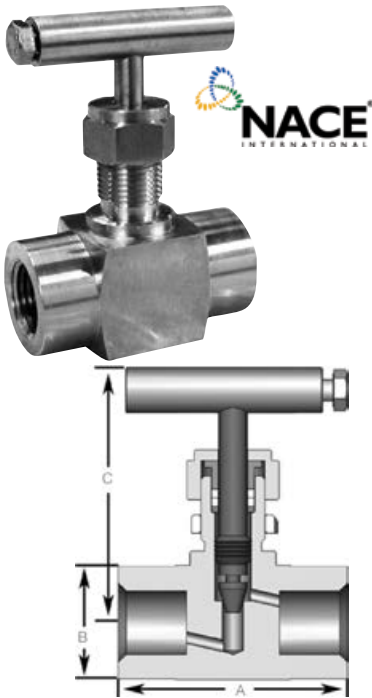
- Back-seated bonnets with packing below the stem threads eliminates possibility of threads contaminated by process media
- Metal-to-metal backseat minimizes fugitive emissions, prevents accidental removal, and stem blow-out during operation
- Non-rotating tip provides tight repeatable shutoff without galling or cross-scoring that occurs in ball-type stems
- Carbon steel models rated to 6580 PSIG @ 100° F, 5400 PSIG @ 650° F (450° F limit for Teflon packing); Stainless steel models rated to 6980 PSIG @ 100° F, 3525 PSIG @ 1000° F
- 10,000 PSIG bonnet assembly model available for high-pressure applications



Model Selection Guide — HN49 Needle Valve with Metal Seat

Connection		Packing	Dimensions				Carbon Steel Valves		Stainless Steel Valves	
Inlet	Outlet		A	B	C	D	Catalog Number	Price	Catalog Number	Price
1/4" NPTM	1/4" NPTF	Teflon	2.50"	1.25"	3.39"	1.50"	HN491S1111412	\$137.70	HN491U1111412	\$147.60
1/4" NPTF	1/4" NPTF		2.00"	1.25"	3.39"	1.13"	HN491S1311412	131.40	HN491U1311412	142.20
1/2" NPTM	1/2" NPTF		3.25"	1.25"	3.52"	1.75"	HN491S3131412	134.10	HN491U3131412	147.60
1/2" NPTF	1/2" NPTF		3.25"	1.25"	3.52"	1.75"	HN491S3331412	131.40	HN491U3331412	142.20
3/4" NPTM	3/4" NPTF		3.00"	1.50"	3.77"	1.56"	HN491S4141412	160.20	HN491U4141412	181.80
3/4" NPTF	3/4" NPTF		3.00"	1.75"	3.77"	1.50"	HN491S4341412	160.20	HN491U4341412	181.80
1" NPTM	1" NPTF		4.00"	2.00"	4.02"	2.25"	HN491S5151412	169.20	HN491U5151412	198.00
1" NPTF	1" NPTF	3.50"	2.00"	4.02"	1.75"	HN491S5351412	169.20	HN491U5351412	244.80	
1/4" NPTM	1/4" NPTF	Grafoil	2.50"	1.25"	3.39"	1.50"	HN491S1111413	138.60	HN491U1111413	149.40
1/4" NPTF	1/4" NPTF		2.00"	1.25"	3.39"	1.13"	HN491S1311413	134.10	HN491U1311413	145.80
1/2" NPTM	1/2" NPTF		3.25"	1.25"	3.52"	1.75"	HN491S3131413	135.90	HN491U3131413	149.40
1/2" NPTF	1/2" NPTF		3.25"	1.25"	3.52"	1.75"	HN491S3331413	134.10	HN491U3331413	144.90
3/4" NPTM	3/4" NPTF		3.00"	1.50"	3.77"	1.56"	HN491S4141413	162.00	HN491U4141413	183.60
3/4" NPTF	3/4" NPTF		3.00"	1.75"	3.77"	1.50"	HN491S4341413	162.00	HN491U4341413	183.60
1" NPTF	1" NPTF		3.50"	2.00"	4.02"	1.75"	HN491S5351413	162.00	HN491U5351413	246.60

Call for HN49 valves with soft seat, and in Monel, Alloy 20, NACE-approved carbon or stainless steel, and Hastelloy B or C.

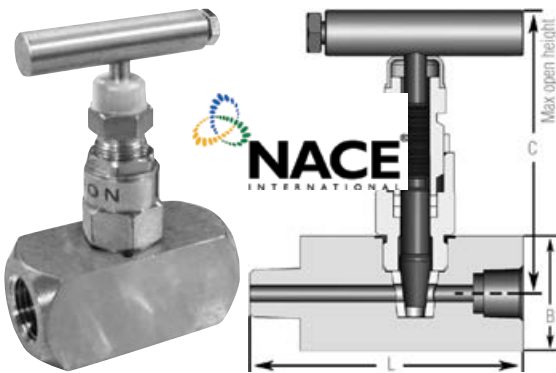


HN39 Stainless Steel Block Valves for High Pressures

- 316-NACE stainless steel body and trim, integral metal seat, and Teflon packing
- Rated to 6000 PSIG @ 100° F. For process temperatures in excess of 450° F, use Grafoil packing
- Bonnet threads above the stem packing eliminates possibility of thread contamination by process media
- Non-rotating tip provides tight, repeatable shutoff without galling or cross-scoring that occurs in ball-type stems

Model Selection Guide

Inlet	Outlet	Seat	Packing	Dimensions				Catalog Number	Price
				A	B	C	Orifice		
1/8" NPTM 1/8" NPTF	1/8" NPTM 1/8" NPTF	Integral	Teflon	2.00"	0.88"	2.63"	0.12"	HN39M-1 HN39F-1	\$53.10 53.10
1/4" NPTM 1/4" NPTF	1/4" NPTM 1/4" NPTF			2.00"	0.88"	2.63"	0.18"	HN39M-2 HN39F-2	53.10 53.10
3/8" NPTM 3/8" NPTF	3/8" NPTM 3/8" NPTF			2.50"	1.25"	3.50"	0.24"	HN39M-3 HN39F-3	76.50 76.50
1/2" NPTM 1/2" NPTF	1/2" NPTM 1/2" NPTF			2.50"	1.25"	3.50"	0.24"	HN39M-4 HN39F-4	76.50 76.50
3/4" NPTM 3/4" NPTF	3/4" NPTM 3/4" NPTF			2.63"	1.38"	3.75"	0.39"	HN39M-6 HN39F-6	105.30 105.30
1" NPTF	1" NPTF			2.63"	1.38"	3.75"	0.39"	HN39F-8	117.90

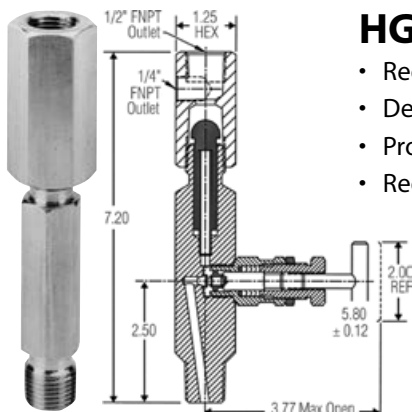


HN41 Roddable Needle Valves

- NACE MR-01-75 316 SS body and trim, Teflon packing, Delrin soft seat
- Straight-thru roddable for bidirectional flow and easy cleaning
- Rising plug design for better shut-off with a full bore valve
- Larger handle and stem diameter makes it withstand tough applications better than competitive units
- Rated to 6000 PSIG @ 200° F

Model Selection Guide

Inlet	Outlet	Dimensions				Catalog Number	Price
		L	B	C	Orifice		
1/4" NPTF	1/4" NPTF	2.99"	2.05"	4.33"	0.37"	HN412D2F2C2	\$93.60
1/4" NPTF	1/4" NPTM	3.50"	1.65"	4.33"	0.37"	HN412D2FM2C2	93.60
1/2" NPTF	1/2" NPTF	2.99"	2.05"	4.33"	0.37"	HN412D4F2C2	75.60
1/2" NPTF	1/2" NPTM	3.50"	1.65"	4.33"	0.37"	HN412D4FM2C2	81.00



HGVS Gauge Syphons for Steam and Heat-Transfer Media

- Reduces installation radius by up to 65% over conventional pigtail syphons
- Decrease system vibration issues: Minimizes deflection stress at the primary valve connection
- Provides a constant thermal barrier for high process temperatures or freeze-up conditions
- Reduces the number of threaded connections from four to two — minimizes leak points.

Model Selection Guide

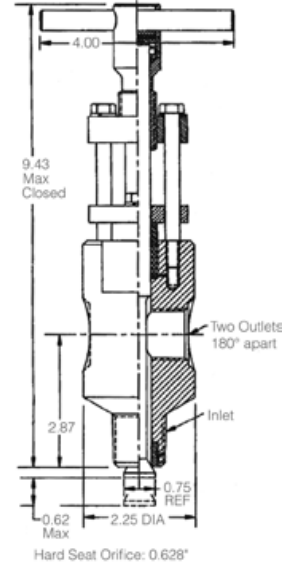
Inlet	Outlet	Seat	Packing	Carbon Steel		Stainless Steel	
				Catalog Number	Price	Catalog Number	Price
1/2" NPTM	1/2" NPTF	Integral	Graphite	HGVS1S3131413	\$250.20	HGVS1U3131413	\$294.30
1/2" NPTM	1/2" NPTF	Integral	TFE	—	—	HGVS1U3131412	292.50

Specialty Valves *HS Series*



HS31 Sample & Tank Bottom Drain Valves

- Extract a fresh sample while providing tight shutoff and high pressure and temperature capabilities
- For difficult fluid sampling applications: slurries, viscous liquids, and media that may solidify when cooled or exposed to the atmosphere
- Two outlet ports standard: Thread a sample cylinder, tube fitting, or piping into one, attach a check valve, bleed valve, cleanout, or purging connection to the other



Model Selection Guide

Inlet	Two Outlets	Seat	Packing	Carbon Steel		Stainless Steel	
				Catalog Number	Price	Catalog Number	Price
1" NPTM	1/2" x 1/2" NPTF	Integral	TFE	HS311S5131212	\$684.00	HS311U5131212	\$865.80
1" NPTM	1/2" x 1/2" NPTF	Integral	Graphite	HS311S5131213	685.80	HS311U5131213	867.60
1" NPTM	1/2" x 3/4" NPTF	Integral	TFE	HS311S5191212	692.10	HS311U5191212	876.60
1" NPTM	1/2" x 3/4" NPTF	Integral	Graphite	HS311S5191213	694.80	HS311U5191213	878.40

Also available with soft seat. Optional barstock bodies in Monel, Alloy 20, Hastelloy B or C. Call for pricing.

Power Valves (Made to ANSI B31.1/B31.3 Spec) *PG Series*



PG48 Gauge and Block Valves

- 100% hydro-tested to ANSI B31.1 standard before shipping
- Compact installation with minimal leak points
- Includes a backseated screwed bonnet, with safety clamp standard to prevent loosening

Model Selection Guide

Inlet	Outlet	Seat	Packing	Carbon Steel		Stainless Steel	
				Catalog Number	Price	Catalog Number	Price
1/2" NPTM	1/2" NPTF	Integral	Graphite	—	—	PG481U3131413	\$352.80
1/2" NPTM	1/2" NPTF	TFE (Soft)	TFE	PG482P3131412	\$346.50	PG482U3131262	395.10
3/4" NPTM	1/2" NPTF	Integral	Graphite	PG481P4131413	331.20	PG481U4131413	362.70

PG65 Orifice Block Valves

- Compliant to Power Standards ANSI B31.1 and B31.3 specifications
- 100% hydro-tested to ANSI B31.1 standard before shipping
- Designed for compact side-by-side mounting on orifice flanges and orifice settings
- Slim design enables mounting on 2-1/8" centers without staggering valves with unequal length nipples
- Two outlet ports standard for use as impulse line connections, pressure or level gauge mounts
- VOC emission compliant: TFE-Chevron and Grafoil packing certified to meet and exceed 100 ppm EPA 1998 emission standards

Model Selection Guide

Inlet	Outlet	Seat	Packing	Carbon Steel		Stainless Steel	
				Catalog Number	Price	Catalog Number	Price
1/2" NPTM	1/2" NPTF	Integral	Graphite	PG651P3131413	\$512.10	PG651U3131413	\$578.70
1/2" NPTM	1/2" NPTF	Integral	TFE	—	—	PG651U3131412	576.90
3/4" NPTM	1/2" NPTF	Integral	Graphite	PG651P4131413	522.90	PG651U4131413	587.70

Due to manufacturer agreements, these products may not be available in all markets or geographic areas.